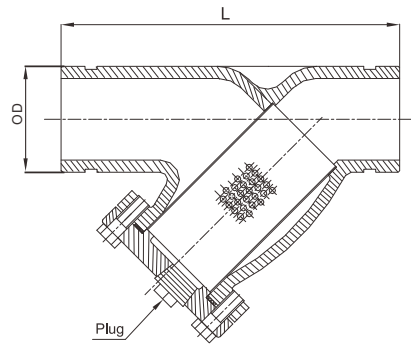


Grooved Y type strainer



- Certificate: UL Listed
- Standard: UL Subject 321
- Connection: Grooved as AWWA C606
- Temperature: 0°C to 80°C
- W. pressure: 300 psi
- Surface: FBE coating as AWWA C550



Main parts and material

Body / cover	Ductile iron as ASTM A536, 65-45-12	Screen	SS304, with 1/6" to 1/4", as 3 ~ 5 mesh
Cover gasket	EPDM / PTFE	Plug	Malleable iron

Available size

Size			Length	Hole size / mesh number	Working pressure (psi)	Ref. No.
Inch	DN	mm	L (mm)			
2"	50	60.3	248	4.0mm / 5	300	V5701
2-1/2"	65	73.0 / 76.1	273	4.0mm / 5	300	V5702
3"	80	88.9	299	5.0mm / 4	300	V5703
4"	100	114.3	362	5.0mm / 4	300	V5704
5"	125	141.3 / 139.7	419	6.0mm / 4	300	V5705
6"	150	168.3 / 165.1	470	6.3mm / 3	300	V5706
8"	200	219.1	610	6.3mm / 3	300	V5707
10"	250	273.0	686	6.3mm / 3	300	V5708
12"	300	323.8	762	6.3mm / 3	300	V5709