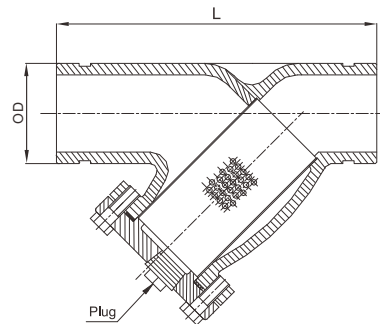


Grooved Y type strainer



- Certificate: UL Listed
- Standard: UL Subject 321
- Connection: Grooved as ISO 6182
- Temperature: 0°C to 80°C
- W. pressure: PN 16
- Surface: FBE coating as AWWA C550



Main parts and material

Body / cover	Ductile iron as EN 1563, EN-GJS-450-10	Screen	SS304, with 4.0 to 6.3 mm hole, as 3 ~ 5 mesh
Cover gasket	EPDM	Plug	Malleable iron

Available size

Inch	Size		Length L (mm)	Hole size / mesh number	Working pressure	Ref. No.
	DN	mm				
2"	50	60.3	248	4.0mm / 5	PN 16	V2701
2-1/2"	65	76.1 / 73.0	273	4.0mm / 5	PN 16	V2702
3"	80	88.9	299	5.0mm / 4	PN 16	V2703
4"	100	114.3	362	5.0mm / 4	PN 16	V2704
5"	125	139.7 / 141.3	419	6.0mm / 4	PN 16	V2705
6"	150	165.1 / 168.3	470	6.3mm / 3	PN 16	V2706
8"	200	219.1	610	6.3mm / 3	PN 16	V2707
10"	250	273.0	686	6.3mm / 3	PN 16	V2708
12"	300	323.9	762	6.3mm / 3	PN 16	V2709