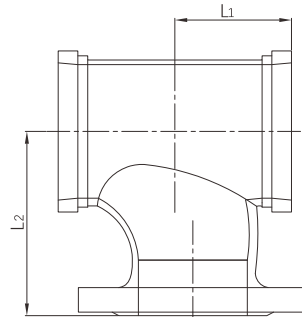


Grooved reducing flange tee wye



- Certificate: FM Approved
- Standard: ANSI / UL 213C
- Material: Ductile iron ASTM A536, 65-45-12
- Rated pressure: 300 ~ 500 psi
- Surface: Red painting / hot dip galvanized



Available size

Inch	Size		Center to end, L (mm)		Flanged end	Ref. No.
	DN	mm	L1	L2		
4" x 4" x 2-1/2"	100 x 100 x 65	114.3 x 114.3 x 76.1	96	135	PN16	G2001