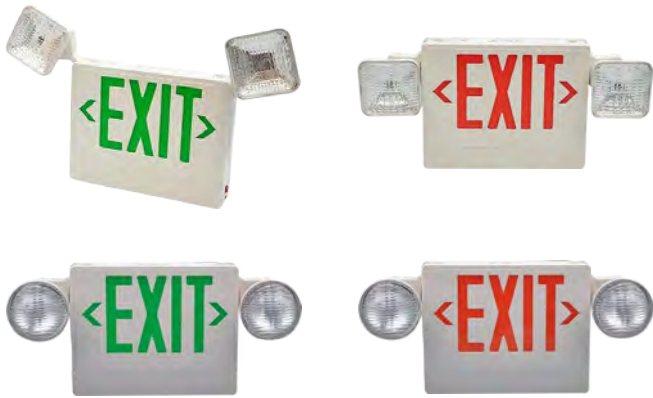
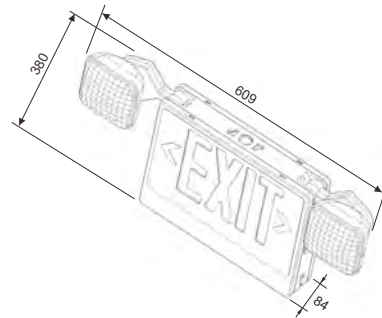


Self-contained maintained text-based exit sign and side emergency light combo

Self-contained maintained text-based exit sign and side emergency light combo combines exit sign and emergency light in a single fixture. The exit sign remains continuously illuminated to mark escape routes, while the emergency light provides customizable illumination and automatically activates during a power failure.



- Certificate: UL Listed
- Standard: UL 924, NFPA 70, NFPA 101, IBC
- Feature: High brightness, self-contained
- Temperature: -5°C to 45°C
- Installation: Ceiling or wall, surface mounting
- Location: Indoors only, IP20



Main parts and material

Enclosure	Fire retardant ABS (UL 94 V-0 rated)	Light source	Main body: LED array panel Head: 2 x adjustable
Backup power	Built-in rechargeable battery, 24 hours charge time, overcharge and over-discharge protection	Networking	/
Accessories	Universal mounting bracket (fits standard junction box), removable directional arrow sticker	Others	Manual test button, status indicator

Available size

Type	Main power	Backup power	Duration	Luminance	Dimension W x H x D (mm)	Ref. No.
Single face, lettering EXIT + arrow, green, square head	120/277 VAC, 50/60 Hz, consumption 8 W	lead-acid, 6 V, 4.5 Ah	3 hours	> 8 cd/m ²	609 x 380 x 84	CL3701 (UL)
Single face, lettering EXIT + arrow, red, square head	120/277 VAC, 50/60 Hz, consumption 8 W	lead-acid, 6 V, 4.5 Ah	3 hours	> 8 cd/m ²	609 x 380 x 84	CL3702 (UL)
Double face, lettering EXIT + arrow, green, square head	120/277 VAC, 50/60 Hz, consumption 8 W	lead-acid, 6 V, 4.5 Ah	3 hours	> 8 cd/m ²	609 x 380 x 84	CL3703 (UL)
Double face, lettering EXIT + arrow, red, square head	120/277 VAC, 50/60 Hz, consumption 8 W	lead-acid, 6 V, 4.5 Ah	3 hours	> 8 cd/m ²	609 x 380 x 84	CL3704 (UL)

CL37 /

Self-contained maintained text-based exit sign and side emergency light combo

Available size

Type	Main power	Backup power	Duration	Luminance	Dimension W x H x D (mm)	Ref. No.
Single face, lettering EXIT + arrow, green, round head	120/277 VAC, 50/60 Hz, consumption 8 W	lead-acid, 6 V, 4.5 Ah	3 hours	> 8 cd/m ²	609 x 380 x 84	CL3705 (UL)
Single face, lettering EXIT + arrow, red, round head	120/277 VAC, 50/60 Hz, consumption 8 W	lead-acid, 6 V, 4.5 Ah	3 hours	> 8 cd/m ²	609 x 380 x 84	CL3706 (UL)
Double face, lettering EXIT + arrow, green, round head	120/277 VAC, 50/60 Hz, consumption 8 W	lead-acid, 6 V, 4.5 Ah	3 hours	> 8 cd/m ²	609 x 380 x 84	CL3707 (UL)
Double face, lettering EXIT + arrow, red, round head	120/277 VAC, 50/60 Hz, consumption 8 W	lead-acid, 6 V, 4.5 Ah	3 hours	> 8 cd/m ²	609 x 380 x 84	CL3708 (UL)