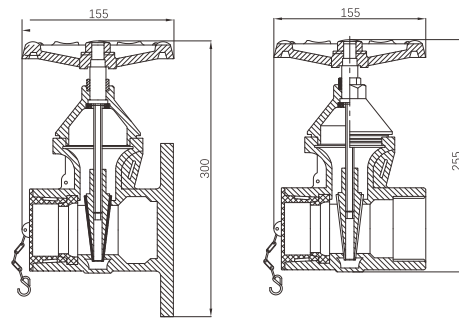


## Dry landing valve

Dry landing valve is located at discharge point typically on higher floors of building, equipped to dry riser which is normally a dry and uncharged pipe system.



- Certificate: ISO
- Standard: BS 5041-2, BS 5154 gate type
- Connection: Flanged to EN 1092-3, or screwed to ISO 7-1
- Temperature: 0°C to 38°C
- Test: Body 22.5 bar / seat 16.5 bar
- Surface: Red powder coating (RAL 3000)



### Main parts and material

|                                   |                                     |                  |  |
|-----------------------------------|-------------------------------------|------------------|--|
| <b>Body / bonnet / wedge gate</b> | Copper alloy, LG2 or CZ122          | <b>Handwheel</b> | Grey cast iron to BS 1452                    |
| <b>Blank cap</b>                  | Copper alloy to EN 1982, with chain | <b>Strap</b>     | Artificial leather, with non-ferrous padlock |

### Available size

| Size  | Type       | Inlet                | Outlet     | Working pressure (bar) | Ref. No. |
|-------|------------|----------------------|------------|------------------------|----------|
| DN 65 | Wedge gate | Flanged DN 65, PN 16 | 2.5" BS336 | 15                     | FE1501   |
| DN 65 | Wedge gate | 2.5" BSPP, F         | 2.5" BS336 | 15                     | FE1502   |
| DN 65 | Wedge gate | 2.5" BSPP, M         | 2.5" BS336 | 15                     | FE1503   |
| DN 65 | Wedge gate | 2.5" BSPT, M         | 2.5" BS336 | 15                     | FE1504   |