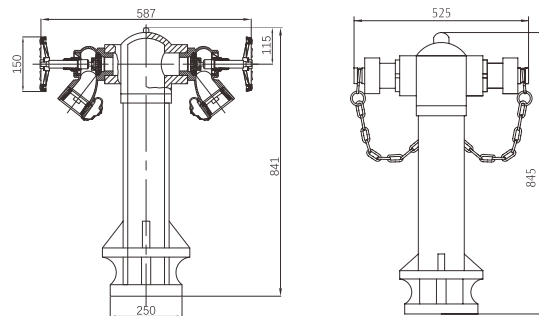


# British wet pillar fire hydrant

Pillar fire hydrant emerges from below ground level in column shape, and is to supply water to firefighting equipment. For wet pillar fire hydrant, it is normally used in nonfrozen areas and the column remains full of water.



- Certificate: ISO
- Standard: BS EN 14384, EN 1074-6
- Connection: Base flanged as EN 1092-2 PN 16, ASME B16.5 Class 150, etc.
- W. pressure: 16 / 20 bar
- Temperature: 4°C to 70°C
- Surface: Red powder coating (RAL 3000)



## Main parts and material

<b>Body</b>	Spheroidal graphite iron (Ductile iron), gray cast iron or carbon steel	<b>Hydrant valve (Landing valve)</b>	Copper alloy, with blank plug and chain
<b>Packing</b>	NBR	<b>Outlet screw</b>	SS304

## Available size (Source 1 with ISO)

Inlet flange	Body material	Way of outlet	Hose outlet	Pumper outlet	Monitor flange	Working pressure (bar)	Ref. No.
DN 100	Ductile iron	2-way	(2) 2.5" BS336 landing valve	/	/	16	FE0101
DN 100	Ductile iron	2-way	(2) 2.5" BS336 landing valve (BSI)	/	/	16	FE0102
DN 100	Ductile iron	2-way	(2) 2.5" BS336 landing valve (LPCB)	/	/	16	FE0103
DN 100	Ductile iron	2-way	(2) 2.5" Storz landing valve	/	/	16	FE0104
DN 100	Ductile iron	2-way	(2) 2.5" BS336	/	/	16	FE0105
DN 100	Ductile iron	2-way	(2) 2.5" Storz	/	/	16	FE0106
DN 100	Ductile iron	2-way	(2) 2.5" BS336 PRV	/	/	20	FE0107

# British wet pillar fire hydrant

## Available size (Source 2 with ISO)

Inlet flange	Body material	Way of outlet	Hose outlet	Pumper outlet	Monitor flange	Working pressure (bar)	Ref. No.
DN 100	Gray cast iron	2-way	(2) 2.5" BS336 landing valve	/	/	16	FE0121
DN 100	Gray cast iron	2-way	(2) 2.5" BS336 PRV	/	/	16	FE0122
DN 150	Gray cast iron	3-way	(2) 2.5" BS336 landing valve	(1) 4" BSRT	/	16	FE0123
DN 150	Gray cast iron	3-way	(2) 2.5" BS336 landing valve (LPCB)	(1) 4" BSRT	/	16	FE0124
DN 150	Gray cast iron	3-way	(2) 2.5" Storz landing valve	(1) 4" Storz	/	16	FE0125
DN 100	Carbon steel	2-way	(2) 2.5" BS336 landing valve	/	/	16	FE0126
DN 100	Carbon steel	2-way	(2) 2.5" BS336 landing valve	/	DN 100	16	FE0127
DN 150	Carbon steel	2-way	(2) 2.5" BS336 landing valve	/	/	16	FE0128
DN 150	Carbon steel	2-way	(2) 2.5" BS336 landing valve	/	DN 100	16	FE0129

**Note:** For FE0126 and FE0128, a monitor flange DN100 (ASME B16.5 Class 150 or EN 1092 PN16) is fitted on the top of the hydrant, so to connect additional fire monitor.