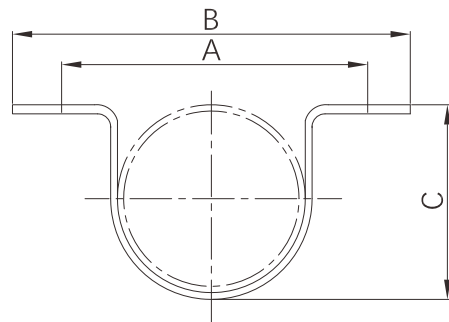


Pipe clip (Pipe strap)

Pipe clip (Pipe strap) is a pipe attachment used to hold the pipe directly to a structure. It is one-piece and nonadjustable, whose body embraces a pipe and the both ends attach to a building structure.



- Certificate: UL Listed / FM Approved
- Standard: UL 203, MSS SP-58/69 (Type-26)
- Material: Carbon steel
- Surface: Plain / electro-galvanized / hot dip galvanized
- Application: Non-insulated stationary pipeline



Available size

Pipe size		Dimension (mm)			Max recommended load (N)	Ref. No.
NPS	DN	A	B	C		
1/2"	15	50	72	24	1334	P7101 (UL)
3/4"	20	54	76	30	1334	P7102 (UL/FM)
1"	25	68	90	36	1334	P7103 (UL/FM)
1-1/4"	32	73	95	45	1334	P7104 (UL/FM)
1-1/2"	40	81	103	51	1334	P7105 (UL/FM)
2"	50	110	144	66	1334	P7106 (UL/FM)
2-1/2"	65	122	156	79	1512	P7107 (UL/FM)
3"	80	138	172	94	1868	P7108 (UL/FM)
4"	100	164	198	120	2668	P7109 (UL/FM)
5"	125	191	225	147	3558	P7110 (UL/FM)
6"	150	218	152	174	4714	P7111 (UL/FM)
8"	200	270	304	225	7205	P7112 (UL/FM)
10"	250	335	369	280	10408	P7113 (UL/FM)
12"	300	386	420	331	14055	P7114 (UL/FM)