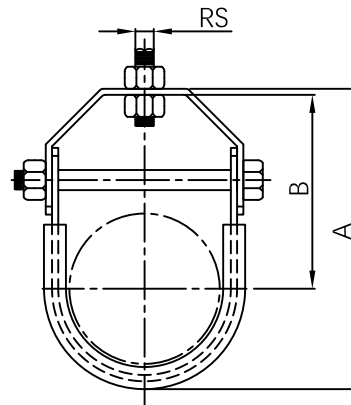


# Rubber lined clevis hanger

Pipe hanger is a device or assembly used to support the gravity load of the system piping. Rubber lined clevis hanger can provide vertical adjustment, consisting of a clevis type top bolted to a formed steel bottom strap and with the rubber lined insulation.



- Certificate: ISO
- Standard: Refer to UL 203, MSS SP-58/69 (Type-1)
- Material: Carbon steel
- Surface: Pre-galvanized / electro-galvanized
- Application: Insulated stationary pipeline



## Available size

Pipe size		Hanger rod size (RS)		Dimension (mm)		Max recommend load (N)	Ref. No.
NPS	DN	UNC	Metric	A	B		
1/2"	15	3/8"	M10	55	41	2710	P4701
3/4"	20	3/8"	M10	60	44	2710	P4702
1"	25	3/8"	M10	70	50	3240	P4703
1-1/4"	32	3/8"	M10	85	61	3240	P4704
1-1/2"	40	3/8"	M10	100	73	3240	P4705
2"	50	3/8"	M10	115	82	3240	P4706
2-1/2"	65	1/2"	M12	150	100	6000	P4707
3"	80	1/2"	M12	165	115	6000	P4708
4"	100	5/8"	M16	195	130	6360	P4709
5"	125	5/8"	M16	245	165	6360	P4710
6"	150	3/4"	M20	280	180	8630	P4711
8"	200	3/4"	M20	335	220	8890	P4712
10"	250	3/4"	M20	400	255	16000	P4713
12"	300	3/4"	M20	470	300	16900	P4714