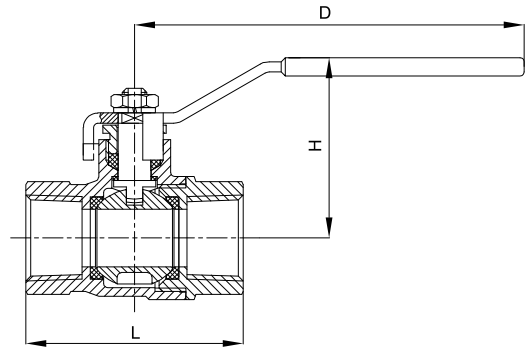


Ball valve (Full bore / full port)

Ball valve is manually operated full port valve, which is used to control water to small open-head extinguishing systems or in the trim on waterflow alarm valves, dry pipe valves or automatic water control valves.



- Certificate: UL Listed / FM Approved
- Standard: UL 258, NSF 61, NSF 372 (Drinking water)
- Connection: Female thread, NPT / BSPT / BSPP (G)
- Temperature: -30°C to 120°C
- W. pressure: 600 / 300 / 175 psi, etc.
- Surface: Rough / chromed plated



Main parts and material

Body / bonnet	Forged brass, lead free (LF) / stainless steel	Ball	Chrome plated brass / stainless steel
Packing	Teflon (PTFE)	Handle	Carbon steel, with plastic sleeve

Available size (Source 1 with NPT, brass)

Size		Dimension (mm)			Connection	Working pressure (psi)	Ref. No.
NPS	DN	L	H	D			
1/4"	8	43	39	76	NPT	600	VC0501 (UL)
3/8"	10	43	39	76	NPT	600	VC0502 (UL)
1/2"	15	57	52	89	NPT	600 (300)	VC0503 (UL/FM)
3/4"	20	63	61	104	NPT	600 (300)	VC0504 (UL/FM)
1"	25	76	64	118	NPT	600 (300)	VC0505 (UL/FM)
1-1/4"	32	87	70	118	NPT	600 (300)	VC0506 (UL/FM)
1-1/2"	40	94	94	145	NPT	600 (300)	VC0507 (UL/FM)
2"	50	108	102	145	NPT	300	VC0508 (UL/FM)
2-1/2"	65	136	115	232	NPT	300	VC0509 (UL)
3"	80	161	126	232	NPT	300	VC0510 (UL)
4"	100	185	141	232	NPT	300	VC0511 (UL)

Note: For size 1/2" to 1-1/2", the working pressure is 600 psi by UL listed, and 300 psi by FM approved.

Ball valve (Brass or stainless steel)

Available size (Source 2 with BSPT / NPT, stainless steel)

Size		Dimension (mm)			Connection	Working pressure (psi)	Ref. No.
NPS	DN	L	H	D			
1/2"	15	65	58	100	BSPT / NPT	300	VC0521 (UL/FM)
3/4"	20	77	62	100	BSPT / NPT	300	VC0522 (UL/FM)
1"	25	85	68	126	BSPT / NPT	300	VC0523 (UL/FM)
1-1/4"	32	100	75	126	BSPT / NPT	300	VC0524 (UL/FM)
1-1/2"	40	111	89	150	BSPT / NPT	300	VC0525 (UL/FM)
2"	50	124	97	150	BSPT / NPT	300	VC0526 (UL/FM)
1/2"	15	65	58	100	BSPT / NPT	300	VC0527 (UL/FM)
3/4"	20	77	62	100	BSPT / NPT	300	VC0528 (UL/FM)

Note: For type VC0527 and VC0528, it has lock device at the handle.

Available size (Source 3 with BSPT / BSPP (G) / NPT, brass)

Size		Dimension (mm)			Connection	Working pressure (psi)	Ref. No.
NPS	DN	L	H	D			
1/4"	8	43	26	43	BSPT / BSPP (G) / NPT	400	VC0531 (UL)
3/8"	10	45	32	77	BSPT / BSPP (G) / NPT	400	VC0532 (UL)
1/2"	15	54	34	77	BSPT / BSPP (G) / NPT	175 (600)	VC0533 (UL/FM)
3/4"	20	62	46	94	BSPT / BSPP (G) / NPT	175 (600)	VC0534 (UL/FM)
1"	25	75	50	94	BSPT / BSPP (G) / NPT	175 (500)	VC0535 (UL/FM)
1-1/4"	32	84	54	94	BSPT / BSPP (G) / NPT	175 (500)	VC0536 (UL/FM)
1-1/2"	40	93	67	136	BSPT / BSPP (G) / NPT	175 (500)	VC0537 (UL/FM)
2"	50	107	74	136	BSPT / BSPP (G) / NPT	175 (500)	VC0538 (UL/FM)

Note:

1. For BSPT connection, it is only UL listed, not FM approved
2. For size 1/2" to 2" with BSPP / NPT connection, the working pressure is 175 psi by UL listed, and 600 or 500 psi by FM approved.

Available size (Source 4 with BSPP (G) / BSPT, brass)

Size		Dimension (mm)			Connection	Working pressure	Ref. No.
NPS	DN	L	H	D			
1/2"	15	53	41	93	BSPP (G) / BSPT	PN 16 / PN 20	VC0541 (ISO)
3/4"	20	56	43	93	BSPP (G) / BSPT	PN 16 / PN 20	VC0542 (ISO)
1"	25	68	51	109	BSPP (G) / BSPT	PN 16 / PN 20	VC0543 (ISO)
1-1/4"	32	76	55	109	BSPP (G) / BSPT	PN 16 / PN 20	VC0544 (ISO)
1-1/2"	40	88	72	131	BSPP (G) / BSPT	PN 16 / PN 20	VC0545 (ISO)
2"	50	103	79	131	BSPP (G) / BSPT	PN 16 / PN 20	VC0546 (ISO)
2-1/2"	65	124	93	167	BSPP (G) / BSPT	PN 16 / PN 20	VC0547 (ISO)
3"	80	148	99	176	BSPP (G) / BSPT	PN 16	VC0548 (ISO)
4"	100	173	109	196	BSPP (G) / BSPT	PN 16	VC0549 (ISO)