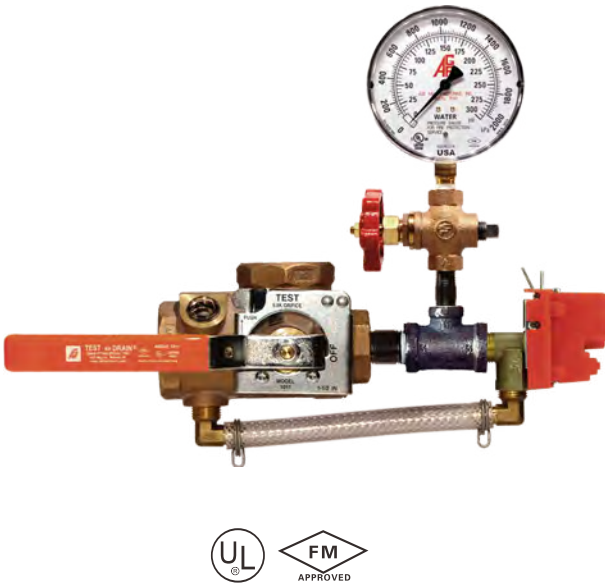
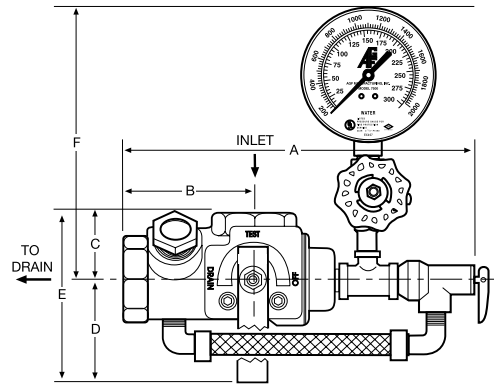


Test and drain valve assembly

Test and drain valve assembly provides test and drain function for a wet fire sprinkler system, including the added components of an integral pressure relief valve with drainage piping, pressure gauge and 3-way globe valve.



- Certificate: UL Listed / FM Approved
- Standard: UL 258, comply with NFPA 13
- Connection: Female thread, NPT / BSPT
- K-Factor: K5.6, K8.0, K11.2, etc.
- W. pressure: 300 psi



Main parts and material

Body / stem / ball	Bronze / Rod brass / C.P. Brass	Relief valve / 3-way globe valve	Bronze
Pressure gauge	1/4" NPT, white aluminum with stop pin dial, black polycarbonate case and clear snap-in clear Polycarbonate window	Bypass fittings / bypass tubing	Brass / Nylobrade

Available size

Size		Dimension (mm)		Nominal K-Factor	Orifice	Connection	Working pressure (psi)	Ref. No.
NPS	DN	A	B					
3/4"	20	256	86	K2.8	3/8"	NPT / BSPT	300	VC0301 (UL/FM)
3/4"	20	256	86	K4.2	7/16"	NPT / BSPT	300	VC0302 (UL/FM)
3/4"	20	256	86	K5.6	1/2"	NPT / BSPT	300	VC0303 (UL/FM)
3/4"	20	256	86	K8.0	17/32"	NPT / BSPT	300	VC0304 (UL/FM)
1"	25	256	86	K2.8	3/8"	NPT / BSPT	300	VC0305 (UL/FM)
1"	25	256	86	K4.2	7/16"	NPT / BSPT	300	VC0306 (UL/FM)
1"	25	256	86	K5.6	1/2"	NPT / BSPT	300	VC0307 (UL/FM)
1"	25	256	86	K8.0	17/32"	NPT / BSPT	300	VC0308 (UL/FM)
1-1/4"	32	263	91	K2.8	3/8"	NPT / BSPT	300	VC0309 (UL/FM)
1-1/4"	32	263	91	K4.2	7/16"	NPT / BSPT	300	VC0310 (UL/FM)

Test and drain valve assembly

Available size

Size		Dimension (mm)		Nominal K-Factor	Orifice	Connection	Working pressure (psi)	Ref. No.
NPS	DN	A	B					
1-1/4"	32	263	91	K5.6	1/2"	NPT / BSPT	300	VC0311 (UL/FM)
1-1/4"	32	263	91	K8.0	17/32"	NPT / BSPT	300	VC0312 (UL/FM)
1-1/4"	32	263	91	K11.2	5/8"	NPT / BSPT	300	VC0313 (UL/FM)
1-1/4"	32	263	91	K14.0	3/4"	NPT / BSPT	300	VC0314 (UL/FM)
1-1/2"	40	288	99	K2.8	3/8"	NPT / BSPT	300	VC0315 (UL/FM)
1-1/2"	40	288	99	K4.2	7/16"	NPT / BSPT	300	VC0316 (UL/FM)
1-1/2"	40	288	99	K5.6	1/2"	NPT / BSPT	300	VC0317 (UL/FM)
1-1/2"	40	288	99	K8.0	17/32"	NPT / BSPT	300	VC0318 (UL/FM)
1-1/2"	40	288	99	K11.2	5/8"	NPT / BSPT	300	VC0319 (UL/FM)
1-1/2"	40	288	99	K14.0	3/4"	NPT / BSPT	300	VC0320 (UL/FM)
1-1/2"	40	288	99	K25.2	1-9/64"	NPT / BSPT	300	VC0321 (ISO)
2"	50	288	99	K2.8	3/8"	NPT / BSPT	300	VC0322 (UL/FM)
2"	50	288	99	K4.2	7/16"	NPT / BSPT	300	VC0323 (UL/FM)
2"	50	288	99	K5.6	1/2"	NPT / BSPT	300	VC0324 (UL/FM)
2"	50	288	99	K8.0	17/32"	NPT / BSPT	300	VC0325 (UL/FM)
2"	50	288	99	K11.2	5/8"	NPT / BSPT	300	VC0326 (UL/FM)
2"	50	288	99	K14.0	3/4"	NPT / BSPT	300	VC0327 (UL/FM)
2"	50	288	99	K25.2	1-9/64"	NPT / BSPT	300	VC0328 (ISO)