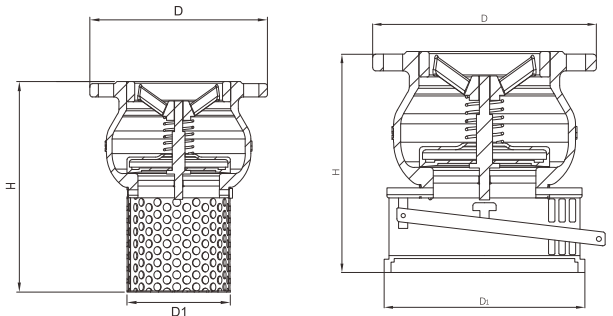


# Foot valve

Foot valve is used to install at the suction side of the pump, and it is a modified check valve with a screen on the suction end to prevent debris from entering the pump or pipeline.



- Certificate: ISO
- Standard: NFPA 20
- Connection: Threaded as NPT or BSPT,  
Flanged as EN 1092-2 PN 10 / PN 16
- Temperature: EPDM, 0°C to 80°C
- W. pressure: 16 bar
- Surface: Blue FBE coating



## Main parts and material

<b>Body / base</b>	Ductile iron, SS or CPVC	<b>Disc</b>	Ductile iron, CPVC + EPDM or SS + EPDM + SS actuated spring
<b>Actuated spring</b>	SS 304, 10 mm hole diameter or CPVC	<b>Screen</b>	Ductile iron or SS, optional

## Available Size (Without drain level)

Size		Dimension (mm)			Drain lever	Connection	Working pressure (bar)	Ref. No.
Inch	DN	D	D1	H				
2"	50	165	75	190	/	PN 10 / PN 16	16	U5401
2-1/2"	65	185	90	210	/	PN 10 / PN 16	16	U5402
3"	80	200	105	240	/	PN 10 / PN 16	16	U5403
4"	100	220	125	250	/	PN 10 / PN 16	16	U5404
5"	125	250	153	310	/	PN 10 / PN 16	16	U5405
6"	150	285	177	370	/	PN 10 / PN 16	16	U5406
8"	200	340	226	450	/	PN 10 / PN 16	16	U5407
10"	250	405	277	470	/	PN 10 / PN 16	16	U5408
12"	300	460	329	500	/	PN 10 / PN 16	16	U5409
14"	350	520	394	600	/	PN 10 / PN 16	16	U5410
16"	400	580	484	780	/	PN 10 / PN 16	16	U5411

**Note:** For flanged connection, it is available with ANSI B16.1 Class 125 / 250, B16.42 Class 150 / 300, EN 1092-2 PN10 / PN16 / PN25, etc.

# Foot valve

## Available Size (With drain lever)

Size		Dimension (mm)			Drain lever	Connection	Working pressure (bar)	Ref. No.
Inch	DN	D	D1	H				
2"	50	/	190	160	Yes	THD / FLG	16	U5421
2-1/2"	65	/	210	165	Yes	THD / FLG	16	U5422
3"	80	/	230	210	Yes	FLG	16	U5423
4"	100	/	250	215	Yes	FLG	16	U5424
5"	125	/	290	240	Yes	FLG	16	U5425
6"	150	/	320	275	Yes	FLG	16	U5426
8"	200	/	370	380	Yes	FLG	16	U5427

**Note:**

1. For drain lever, it is manually operated to activate a self-cleaning mechanism to release water contained within the pipeline.
2. For flanged connection, it is available with ANSI B16.1 Class 125 / 250, B16.42 Class 150 / 300, EN 1092-2 PN10 / PN16 / PN25, etc.