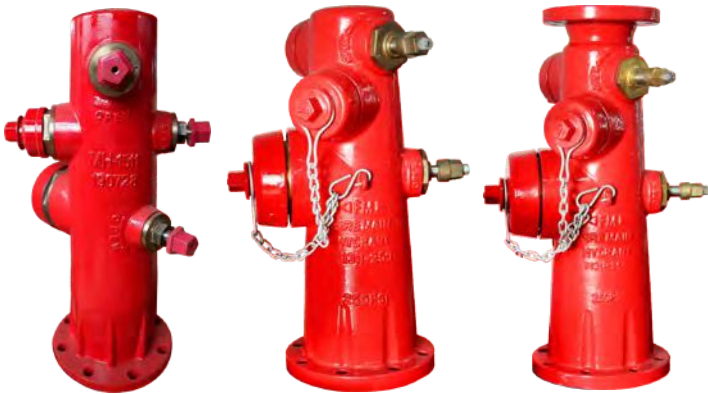
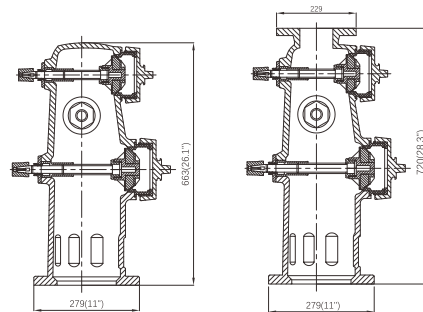


American wet barrel fire hydrant

Wet barrel hydrant is used in areas where the climate is mild and no danger of freezing weather. It has outlets equipped with an individual valve and the hydrant interior always has pressurized water.



- Certificate: UL Listed / FM Approved
- Standard: UL 246, FM1511, AWWA C503
- Connection: Base flange as B16.1 Class 125, B16.5 Class 150, B16.42 Class 150, EN1092-2 PN16
- W. pressure: 250 psi / 300 psi
- Temperature: -10°C to 80°C
- Surface: FBE coating AWWA C550



Main parts and material

Body	Ductile iron as ASTM A536, 65-45-12	Hose nozzle / pumper nozzle	Bronze as ASTM B62 C83600, with cast iron cap
Valve disc	Bronze encapsulated with NBR	Valve stem	SS304 / bronze as ASTM B62 C83600

Available size (Source 1 with UL/FM)

Inlet size	Way of outlet	Inlet type	Hose outlet	Pumper outlet	Monitor flange	Working pressure (psi)	Ref. No.
6"	2-way	Flange	(2) 2-1/2" NH	/	/	250	F0101 (UL/FM)
6"	2-way	Flange	(2) 2-1/2" NH	/	3" or 4"	250	F0102 (UL/FM)*
6"	2-way	Flange	(1) 2-1/2" NH	(1) 4" NH	/	250	F0103 (UL/FM)
6"	2-way	Flange	(1) 2-1/2" NH	(1) 4" NH	3" or 4"	250	F0104 (UL/FM)*
6"	2-way	Flange	(1) 2-1/2" NH	(1) 4-1/2" NH	/	250	F0105 (UL)
6"	2-way	Flange	(1) 2-1/2" NH	(1) 4-1/2" NH	3" or 4"	250	F0106 (UL)
6"	2-way	Flange	(1) 2-1/2" NH	(1) 5" Storz	/	250	F0107 (UL)
6"	2-way	Flange	(1) 2-1/2" NH	(1) 5" Storz	3" or 4"	250	F0108 (UL)

American wet barrel fire hydrant

Available size (Source 1 with UL/FM)

Inlet size	Way of outlet	Inlet type	Hose outlet	Pumper outlet	Monitor flange	Working pressure (psi)	Ref. No.
6"	3-way	Flange	(2) 2-1/2" NH	(1) 4" NH	/	250	F0109 (UL/FM)
6"	3-way	Flange	(2) 2-1/2" NH	(1) 4" NH	3" or 4"	250	F0110 (UL/FM)*
6"	3-way	Flange	(2) 2-1/2" NH	(1) 4-1/2" NH	/	250	F0111 (UL/FM)
6"	3-way	Flange	(2) 2-1/2" NH	(1) 4-1/2" NH	3" or 4"	250	F0112 (UL/FM)*
6"	3-way	Flange	(2) 2-1/2" NH	(1) 5" NH	/	250	F0113 (FM)
6"	3-way	Flange	(2) 2-1/2" NH	(1) 5" NH	4"	250	F0114 (FM)
6"	3-way	Flange	(2) 2-1/2" NH	(1) 5" Storz	/	250	F0115 (UL/FM)
6"	3-way	Flange	(2) 2-1/2" NH	(1) 5" Storz	3" or 4"	250	F0116 (UL/FM)*

Note:

1. The inlet base flange is available with ANSI B16.1 Class 125.
2. It may incorporate a 3" or 4" monitor flange (ASME B16.1 Class 125) on the top of the hydrant, so to connect additional fire monitor.
3. * For fire hydrant with 3" monitor flange, it is only UL listed, no UL/FM.
4. It is equipped with an exclusive fire hydrant wrench, see TPMC Ref. No. F6853.

Available size (Source 2 with UL/FM)

Inlet size	Way of outlet	Inlet type	Hose outlet	Pumper outlet	Monitor flange	Working pressure (psi)	Ref. No.
6"	3-way	Flange	(2) 2-1/2" NH	(1) 4" NH	/	250	F0131 (UL)
6"	3-way	Flange	(2) 2-1/2" NH	(1) 4" NH	4"	250	F0132 (UL)
6"	3-way	Flange	(2) 2-1/2" NH	(1) 4-1/2" NH	/	250	F0133 (UL/FM)
6"	3-way	Flange	(2) 2-1/2" NH	(1) 4-1/2" NH	4"	250	F0134 (UL)

Note:

1. The inlet base flange is available with ANSI B16.5 Class 150, or EN 1092 PN 16 (BS 4504 / DIN 2501, PN 16).
2. It may incorporate a 4" monitor flange (ASTM B16.5 Class 150 / DIN 2501, PN16), so to connect additional fire monitor.
3. It is equipped with an exclusive fire hydrant wrench, See TPMC Ref. No. F6851.

Available size (Source 3 with UL/FM)

Inlet size	Way of outlet	Inlet type	Hose outlet	Pumper outlet	Monitor flange	Working pressure (psi)	Ref. No.
6"	3-way	Flange	(2) 2-1/2" NH	(1) 4-1/2" NH	/	300	F0141 (UL/FM)
6"	3-way	Flange	(2) 2-1/2" NH	(1) 4" NH	/	300	F0142 (UL/FM)
6"	3-way	Flange	(2) 2-1/2" NH	(1) 5" NH	/	300	F0143 (UL/FM)

Note:

1. The inlet base flange is available with ANSI B16.42 Class 150.
2. The hose outlet and pump outlet are available with British standard threaded nozzles.
3. It is equipped with an exclusive fire hydrant wrench, See TPMC Ref. No. F6851.