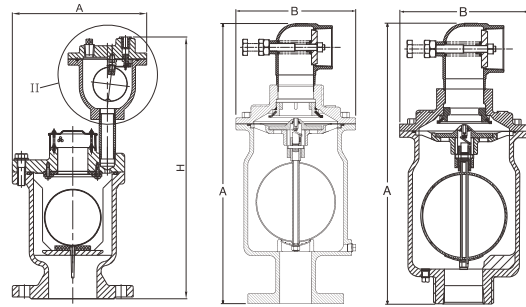


Combination air valve (Air release and vacuum breaker valve)

Combination air valve has the features of both air/vacuum valve and air release valve. It performs the same function as air/vacuum valve to release or admit large quantity of air, and also release small air like an air-release valve.



- Certificate: UL Listed
- Standard: UL 2573, NFPA 20, AWWA C512
- Connection: Threaded NPT, Flanged as B16.1 Class 125, B16.5 Class 150, etc.
- Feature: Large and small orifices, vent and admit air
- Temperature: 0 ~ 80°C
- W. pressure: 300 psi
- Surface: FBE coating as AWWA C550



Main parts and material

Body / bonnet	Ductile iron as ASTM A536, 65-45-12	Float ball assembly	SS 304
Internal trim parts	SS 304, or SS 304 and Delrin	Seal	EPDM, Nitrile rubber, or Viton

Available Size (Source 1 with UL)

Inlet	Outlet 1	Orifice 1	Outlet 2	Orifice 2	Dimension (mm)	Working pressure (psi)	Ref. No.
					H		
2" FLG / NPT	1-1/4" NPT	1-1/4"	1/2" NPT	1/16"	379	300	U1901
2-1/2" FLG / NPT	2" NPT	2"	1/2" NPT	1/16"	435	300	U1902
3" FLG / NPT	2" NPT	2"	1/2" NPT	1/16"	435	300	U1903
4" FLG / NPT	2-1/2" NPT	2-1/2"	1/2" NPT	1/16"	476	300	U1904

Combination air valve (Air release and vacuum breaker valve)

Available Size (Source 2 with UL)

Inlet	Outlet	Orifice	Dimension (mm)		Working pressure (psi)	Ref. No.
			A	B		
1" FLG / NPT	1" NPT	0.076"	11.81"	4.13"	300	U1911
2" FLG / NPT	2" NPT	0.076"	16.50"	7.50"	300	U1912
3" FLG / NPT	3" NPT	0.076"	18.50"	9.25"	300	U1913
4" FLG / NPT	4" NPT	0.076"	20.00"	9.25"	300	U1914
6" FLG / NPT	6" NPT	0.076"	/	/	300	U1915

Note: For end connection, it is also available with flanged as ANSI class 150 / 300, and it is ISO certified, not UL.