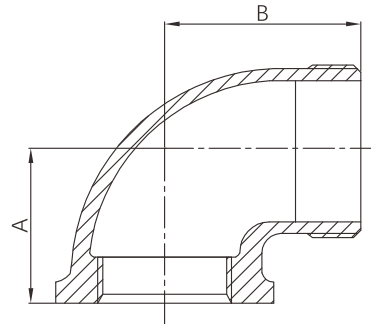


## Malleable iron 90° street elbow



- Certificate: UL Listed / FM Approved
- Standard: ASME B16.3
- Material: Malleable iron ASTM A197
- Thread: NPT
- W. pressure: Class 150, 300 psi (-29°C to 66°C)  
Class 300, 1000 / 1500 / 2000 psi (-29°C to 66°C)
- Surface: Black iron / hot dip galvanized



### Available size (Class 150)

Inch	Size		A mm	B mm	Ref. No.
	DN	mm			
1/2"	15	21.3	28.5	41.2	M5303 (UL/FM)
3/4"	20	26.7	33.3	48.0	M5304 (UL/FM)
1"	25	33.4	38.1	54.4	M5305 (UL/FM)
1-1/4"	32	42.2	44.5	62.2	M5306 (UL/FM)
1-1/2"	40	48.3	49.3	68.3	M5307 (UL/FM)
2"	50	60.3	57.2	82.8	M5308 (UL/FM)
2-1/2"	65	73.0	68.6	98.0	M5309 (UL/FM)
3"	80	88.9	78.2	114.6	M5310 (UL/FM)
4"	100	114.3	96.3	144.5	M5311 (UL/FM)
6"	150	168.3	130.3	204.0	M5313 (UL/FM)

## Malleable iron 90° street elbow

### Available size (Class 300)

Size			A	B	Ref. No.
Inch	DN	mm	mm	mm	
1/4"	8	13.7	23.9	36.6	M5301-300 (ISO)
3/8"	10	17.1	26.9	41.4	M5302-300 (ISO)
1/2"	15	21.3	31.8	50.8	M5303-300 (ISO)
3/4"	20	26.7	36.6	55.6	M5304-300 (ISO)
1"	25	33.4	41.4	65.0	M5305-300 (ISO)
1-1/4"	32	42.2	49.3	73.2	M5306-300 (ISO)
1-1/2"	40	48.3	54.1	79.5	M5307-300 (ISO)
2"	50	60.3	63.5	93.7	M5308-300 (ISO)
2-1/2"	65	73.0	74.7	114.3	M5309-300 (ISO)
3"	80	88.9	85.9	130.3	M5310-300 (ISO)