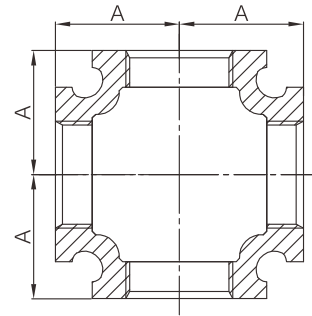


Malleable cast iron equal cross



- Certificate: UL Listed / FM Approved / NSF 61
- Standard: ISO 49 / EN 10242, symbol C
- Material: BS EN 1562, EN-GJMB-350-10
- Thread: BSPT
- W. pressure: 20 ~ 25 bar, ≤ PN25
- Surface: Black iron / hot dip galvanized



Available size

Inch	Size		A	Ref. No.
	DN	mm	mm	
1/2"	15	21.3	28	M1903 (UL/FM)
3/4"	20	26.9	33	M1904 (UL/FM)
1"	25	33.7	38	M1905 (UL/FM)
1-1/4"	32	42.4	45	M1906 (UL/FM)
1-1/2"	40	48.3	50	M1907 (UL/FM)
2"	50	60.3	58	M1908 (UL/FM)
2-1/2"	65	76.1	69	M1909 (UL/FM)
3"	80	88.9	78	M1910 (UL/FM)
4"	100	114.3	96	M1911 (UL/FM)

Note: NSF 61 certificate is available for M1903 ~ M1911, except M1906.