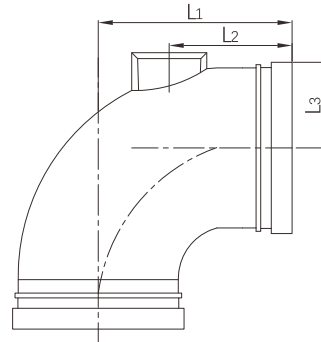


## Grooved 90° drainage elbow



- Certificate: UL Listed / FM Approved
- Standard: ANSI / UL 213C
- Material: Ductile iron ASTM A536, 65-45-12
- Rated pressure: 300 ~ 500 psi
- Surface: Red painting / hot dip galvanized



### Available size

Size			Center to end, L (mm)			Ref. No.
Inch	DN	mm	L1	L2	L3	
2"	50	60.3	83	65	37.5	G0204 (UL/FM)
2-1/2"	65	73.0	95	70	43.5	G0205 (UL/FM)
3"	80	88.9	108	70	53	G0207 (UL/FM)
4"	100	114.3	127	70	66	G0208 (UL/FM)
6"	150	168.3	165	70	92.5	G0212 (UL/FM)
8"	200	219.1	197	70	116	G0213 (UL/FM)