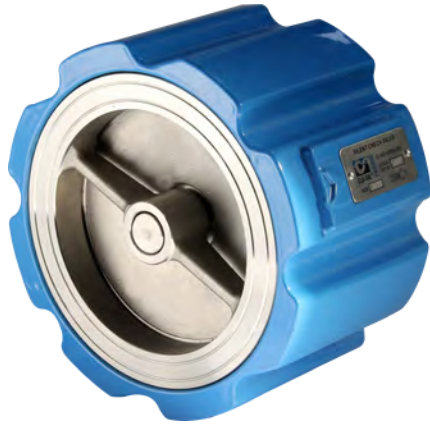
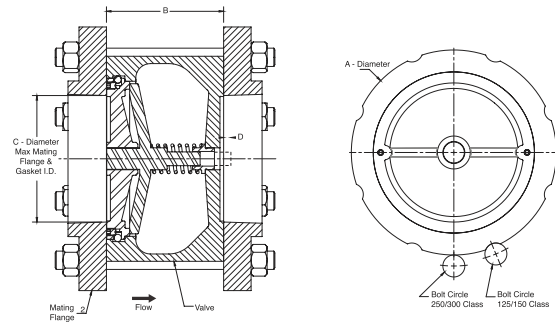


# Silent wafer check valve

Silent wafer check valve is used in pump application for quick & quiet closure to tackle severe water hammer. It has a spring-loaded poppet that allows the valve to close before flow reversal occurs.



- Certificate: FM Approved
- Standard: NFPA 20
- Connection: Wafer, flanged as ASME B16.1 Class 125, or B16.42 Class 150 / 300
- W. pressure: 200 psi
- Installation: Vertical or horizontal
- Surface: Blue / red epoxy coating



## Main parts and material

<b>Body</b>	Ductile iron as ASTM A536, 65-45-12	<b>Disc</b>	SS 304
<b>Seat</b>	SS 304	<b>Spring</b>	SS 316

## Available size

Size		Dimension (mm)		Working pressure (psi)	Ref. No.
Inch	DN	A	B		
2"	50	108	67	200	U5501
2-1/2"	65	127	73	200	U5502
3"	80	146	79	200	U5503
4"	100	178	102	200	U5504
5"	125	213	118	200	U5505
6"	150	248	140	200	U5506
8"	200	340	165	200	U5507
10"	250	406	210	200	U5508