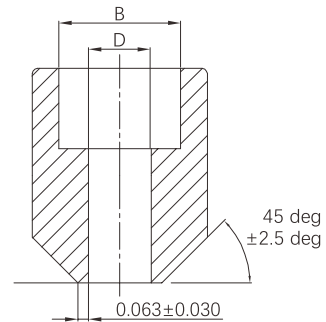


Socket weld boss



- Certificate: ISO
- Standard: ASME B16.11
- Material: Forged carbon steel ASTM A105
Forged SS ASTM A182, F304 / F316L
- W. pressure: Class 3000 / 6000 / 9000
- Surface: Oiled / hot dip galvanized
Pickling white, etc.



Available size

Size		Socket bore dia.	Bore dia. of fitting D (mm)			Ref. No.	
NPS	DN		OD (mm)	B (mm)	Class 3000		Class 6000
1/2"	15	21.3	21.8 ~ 22.2	15.0 ~ 16.6	11.0 ~ 12.5	5.6 ~ 7.2	N2601
3/4"	20	26.7	27.2 ~ 27.6	20.2 ~ 21.7	14.8 ~ 16.3	10.3 ~ 11.8	N2602
1"	25	33.4	33.9 ~ 34.3	25.9 ~ 27.4	19.9 ~ 21.5	14.4 ~ 16.0	N2603
1-1/4"	32	42.2	42.7 ~ 43.1	34.3 ~ 35.8	28.7 ~ 30.2	22.0 ~ 23.5	N2604
1-1/2"	40	48.3	48.8 ~ 49.2	40.1 ~ 41.6	33.2 ~ 34.7	27.2 ~ 28.7	N2605
2"	50	60.3	61.2 ~ 61.7	51.7 ~ 53.3	42.1 ~ 43.6	37.4 ~ 38.9	N2606
2-1/2"	65	73.0	73.9 ~ 74.4	61.2 ~ 64.2	/	/	N2607
3"	80	88.9	89.8 ~ 90.3	76.4 ~ 79.4	/	/	N2608
4"	100	114.3	115.2 ~ 115.7	100.7 ~ 103.8	/	/	N2609