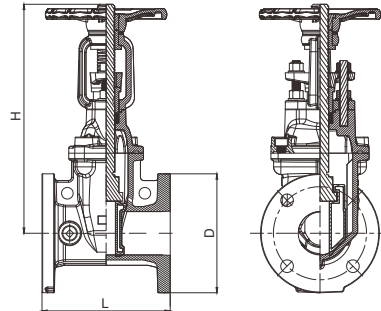


Flanged OS&Y gate valve



- Certificate: UL Listed / FM Approved
- Standard: UL 262 / AWWA C515, C509
- Connection: Flanged as B16.1 Class 125, B16.5 Class 150, Mechanical joint as ANSI / AWWA C153 / A21.53 etc.
- Indicator: Non / with supervisory switch
- Temperature: 0°C to 80°C
- W. pressure: 250 / 300 / 363 psi
- Surface: FBE coating as AWWA C550



Main parts and material

Body / bonnet / yoke / handwheel	Ductile iron as ASTM A536, 65-45-12	Resilient wedge disc	Ductile iron with EPDM
Stem	AISI304 / AISI316 / AL-bronze	Tapping plug	Bronze as ASTM B584, 1/2" NPT for 2" ~ 5"; 3/4" NPT for 6" ~ 12"

Available size (Without supervisor switch)

Size			Dimension (mm)			Working pressure (psi)	Ref. No.
Inch	DN	mm	L	H min	H max		
2"	50	60.3	178	348	400	300 / 363	V3101
2-1/2"	65	73.0	190	373	440	300 / 363	V3102
3"	80	88.9	203	408	490	300 / 363	V3103
4"	100	114.3	229	471	573	300 / 363	V3104
5"	125	141.3	254	541	665	300 / 363	V3105
6"	150	168.3	267	601	755	300 / 363	V3106
8"	200	219.1	292	774	975	300 / 363	V3107
10"	250	273.0	330	939	1193	300 / 363	V3108
12"	300	323.8	356	1065	1370	300 / 363	V3109
14"	350	355.6	381	1415	1780	250	V3110
16"	400	406.4	406	1385	1790	250	V3111
18"	450	457	432	1835	2290	250	V3112
20"	500	508	457	1830	2380	250	V3113
24"	600	610	508	2030	2830	250	V3114

Note: For size 2" to 12" with working pressure 300 psi, it is also available with flanged connection as per EN 1092-2 PN 16.

V31/

Flanged OS&Y gate valve

Available size (With supervisor switch)

Size			Dimension (mm)			Working pressure (psi)	Ref. No.
Inch	DN	mm	L	H min	H max		
2"	50	60.3	178	348	400	300 / 363	V3121
2-1/2"	65	73.0	190	373	440	300 / 363	V3122
3"	80	88.9	203	408	490	300 / 363	V3123
4"	100	114.3	229	471	573	300 / 363	V3124
5"	125	141.3	254	541	665	300 / 363	V3125
6"	150	168.3	267	601	755	300 / 363	V3126
8"	200	219.1	292	774	975	300 / 363	V3127
10"	250	273.0	330	939	1193	300 / 363	V3128
12"	300	323.8	356	1065	1370	300 / 363	V3129
14"	350	355.6	381	1415	1780	250	V3130
16"	400	406.4	406	1385	1790	250	V3131
18"	450	457	432	1835	2290	250	V3132
20"	500	508	457	1830	2380	250	V3133
24"	600	610	508	2030	2830	250	V3134

Note: For size 2" to 12" with working pressure 300 psi, it is also available with flanged connection as per EN 1092-2 PN 16.