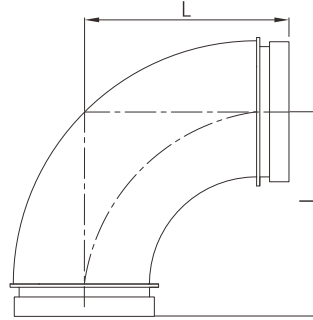


# Grooved 90° elbow



- Certificate: UL Listed / FM Approved
- Standard: ANSI / UL 213C
- Material: Ductile iron ASTM A536, 65-45-12
- Type: Short / Standard / Long
- Rated pressure: 300 ~ 500 psi
- Surface: Red painting / hot dip galvanized



## Available size

Size			Center to end, L (mm)			Ref. No.
Inch	DN	mm	Short	Standard	Long	
1"	25	33.7	57	57	/	G0101 (UL/FM)
1-1/4"	32	42.4	60	70	/	G0102 (UL/FM)
1-1/2"	40	48.3	60	70	/	G0103 (UL/FM)
2"	50	60.3	70	83	111	G0104 (UL/FM)
2-1/2"	65	73.0	76	95	130	G0105 (UL/FM)
2-1/2"	65	76.1	76	95	/	G0106 (UL/FM)
3"	80	88.9	86	108	149	G0107 (UL/FM)
4"	100	114.3	102	127	191	G0108 (UL/FM)
5"	125	139.7	122	140	/	G0109 (UL/FM)
5"	125	141.3	122	140	/	G0110 (UL/FM)
6"	150	165.1	140	165	/	G0111 (UL/FM)
6"	150	168.3	140	165	273	G0112 (UL/FM)
8"	200	219.1	175	197	362	G0113 (UL/FM)
10"	250	273.0	215	229	381	G0114 (UL/FM)
12"	300	323.9	245	254	457	G0115 (UL/FM)

# Grooved 90° elbow

## Available size

Size			Center to end, L (mm)			Ref. No.
Inch	DN	mm	Short	Standard	Long	
14"	350	355.6	/	280	/	G0116 (UL)
16"	400	406.4	/	305	/	G0117 (UL)
18"	450	457.2	/	394	/	G0118 (UL)
20"	500	508	/	438	/	G0119 (UL)
24"	600	609.6	/	508	/	G0120 (UL)