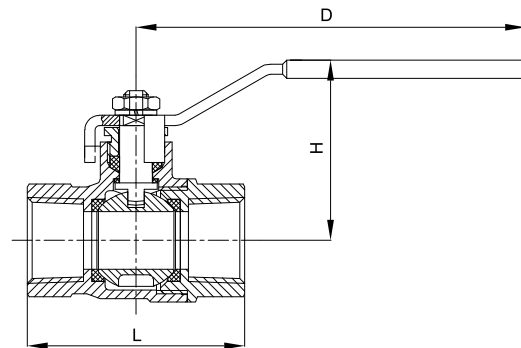


# Stainless steel screwed ball valve (Full bore / full port)

Stainless steel screwed ball valve is manually operated full port valve, which is used to control water to small open-head extinguishing system or fire pump sensing line, or in the trim on waterflow alarm valve.



- Certificate: ISO
- Standard: ASME B16.34, EN 331, GB/T 12237
- Connection: Thread, F x F, M x F, M x M
- Temperature: -20°C to 120°C
- W. pressure: PN 16 / PN 25 / PN 40 etc.
- Surface: Sandblasted



## Main parts and material

<b>Body / bonnet</b>	Stainless steel 304 or 316	<b>Ball</b>	Stainless steel 304 or 316
<b>Packing</b>	Teflon (PTFE)	<b>Handle</b>	stainless steel A201 or 304, with plastic sleeve, with or without lockable device

## Available size

Size		Dimension (mm)			Connection	Working pressure	Ref. No.
NPS	DN	L	H	D			
1/4"	8	43	39	89	BSPT / BSPP / NPT	PN 40	VC5501
3/8"	10	43	39	89	BSPT / BSPP / NPT	PN 40	VC5502
1/2"	15	57	52	107	BSPT / BSPP / NPT	PN 40	VC5503
3/4"	20	63	61	120	BSPT / BSPP / NPT	PN 25	VC5504
1"	25	76	64	126	BSPT / BSPP / NPT	PN 25	VC5505
1-1/4"	32	87	70	143	BSPT / BSPP / NPT	PN 25	VC5506
1-1/2"	40	94	94	160	BSPT / BSPP / NPT	PN 25	VC5507
2"	50	108	102	171	BSPT / BSPP / NPT	PN 16	VC5508
2-1/2"	65	136	115	205	BSPT / BSPP / NPT	PN 16	VC5509
3"	80	161	126	235	BSPT / BSPP / NPT	PN 16	VC5510
4"	100	185	141	296	BSPT / BSPP / NPT	PN 10	VC5511