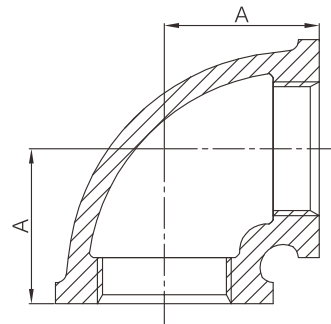


Malleable iron 90° straight elbow



- Certificate: UL Listed / FM Approved
- Standard: ASME B16.3
- Material: Malleable iron ASTM A197
- Thread: NPT
- W. pressure: Class 150, 300 psi (-29°C to 66°C)
Class 300, 1000 / 1500 / 2000 psi (-29°C to 66°C)
- Surface: Black iron / hot dip galvanized



Available size (Class 150)

Inch	Size		A	Ref. No.
	DN	mm	mm	
1/2"	15	21.3	28.5	M5103 (UL/FM)
3/4"	20	26.7	33.3	M5104 (UL/FM)
1"	25	33.4	38.1	M5105 (UL/FM)
1-1/4"	32	42.2	44.5	M5106 (UL/FM)
1-1/2"	40	48.3	49.3	M5107 (UL/FM)
2"	50	60.3	57.2	M5108 (UL/FM)
2-1/2"	65	73.0	68.6	M5109 (UL/FM)
3"	80	88.9	78.2	M5110 (UL/FM)
4"	100	114.3	96.3	M5111 (UL/FM)
6"	150	168.3	130.3	M5113 (UL/FM)

Malleable iron 90° straight elbow

Available size (Class 300)

Inch	Size		A	Ref. No.
	DN	mm	mm	
1/4"	8	13.7	23.9	M5101-300 (ISO)
3/8"	10	17.1	26.9	M5102-300 (ISO)
1/2"	15	21.3	31.8	M5103-300 (ISO)
3/4"	20	26.7	35.6	M5104-300 (ISO)
1"	25	33.4	41.4	M5105-300 (ISO)
1-1/4"	32	42.2	49.3	M5106-300 (ISO)
1-1/2"	40	48.3	54.1	M5107-300 (ISO)
2"	50	60.3	63.5	M5108-300 (ISO)
2-1/2"	65	73.0	74.7	M5109-300 (ISO)
3"	80	88.9	85.9	M5110-300 (ISO)
4"	100	114.3	114.0	M5111-300 (ISO)