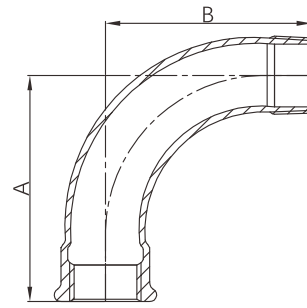


## Malleable cast iron male and female 90° long sweep bend



- Certificate: UL Listed / FM Approved / NSF 61
- Standard: ISO 49 / EN 10242, symbol C
- Material: BS EN 1562, EN-GJMB-350-10
- Thread: BSPT
- W. pressure: 20 ~ 25 bar, ≤ PN25
- Surface: Black iron / hot dip galvanized



### Available size

Size			A	B	Ref. No.
Inch	DN	mm	mm	mm	
1/4"	8	13.5	40	36	M4501 (UL/FM)
3/8"	10	17.2	48	42	M4502 (UL/FM)
1/2"	15	21.3	55	48	M4503 (UL/FM)
3/4"	20	26.9	69	60	M4504 (UL/FM)
1"	25	33.7	85	75	M4505 (UL/FM)
1-1/4"	32	42.4	105	95	M4506 (UL/FM)
1-1/2"	40	48.3	116	105	M4507 (UL/FM)
2"	50	60.3	140	130	M4508 (UL/FM)
2-1/2"	65	76.1	176	165	M4509 (UL/FM)
3"	80	88.9	205	190	M4510 (UL/FM)
4"	100	114.3	260	245	M4511 (UL/FM)
6"	150	165.1	365	345	M4513 (UL/FM)

**Note:** NSF 61 certificate is available for M4502 ~ M4511, except M4501, M4513.