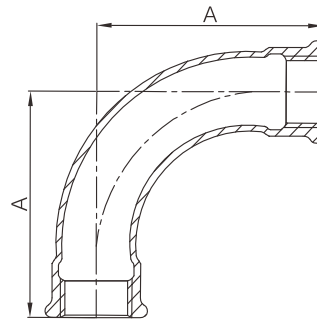


Malleable cast iron 90° long sweep bend



- Certificate: UL Listed / FM Approved / NSF 61
- Standard: ISO 49 / EN 10242, symbol C
- Material: BS EN 1562, EN-GJMB-350-10
- Thread: BSPT
- W. pressure: 20 ~ 25 bar, ≤ PN25
- Surface: Black iron / hot dip galvanized



Available size

Inch	Size		A	Ref. No.
	DN	mm	mm	
1/4"	8	13.5	40	M4401 (UL/FM)
3/8"	10	17.2	48	M4402 (UL/FM)
1/2"	15	21.3	55	M4403 (UL/FM)
3/4"	20	26.9	69	M4404 (UL/FM)
1"	25	33.7	85	M4405 (UL/FM)
1-1/4"	32	42.4	105	M4406 (UL/FM)
1-1/2"	40	48.3	116	M4407 (UL/FM)
2"	50	60.3	140	M4408 (UL/FM)
2-1/2"	65	76.1	176	M4409 (UL/FM)
3"	80	88.9	205	M4410 (UL/FM)
4"	100	114.3	260	M4411 (UL/FM)

Note: NSF 61 certificate is available for M4402 ~ M4411, except M4401.