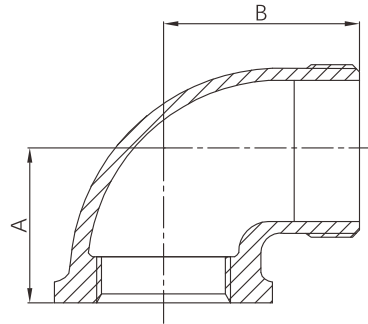


## Malleable cast iron male and female 90° elbow



- Certificate: UL Listed / FM Approved / NSF 61
- Standard: ISO 49 / EN 10242, symbol C
- Material: BS EN 1562, EN-GJMB-350-10
- Thread: BSPT
- W. pressure: 20 ~ 25 bar, ≤ PN25
- Surface: Black iron / hot dip galvanized



### Available size

Size			A	B	Ref. No.
Inch	DN	mm	mm	mm	
1/4"	8	13.5	21	28	M0301 (UL/FM)
3/8"	10	17.2	25	32	M0302 (UL/FM)
1/2"	15	21.3	28	37	M0303 (UL/FM)
3/4"	20	26.9	33	43	M0304 (UL/FM)
1"	25	33.7	38	52	M0305 (UL/FM)
1-1/4"	32	42.4	45	60	M0306 (UL/FM)
1-1/2"	40	48.3	50	65	M0307 (UL/FM)
2"	50	60.3	58	74	M0308 (UL/FM)
2-1/2"	65	76.1	69	88	M0309 (UL/FM)
3"	80	88.9	78	98	M0310 (UL/FM)
4"	100	114.3	96	118	M0311 (UL/FM)
6"	150	165.1	127.5	202	M0313 (UL/FM)

**Note:** NSF 61 certificate is available for M0301, M0302, M0313.