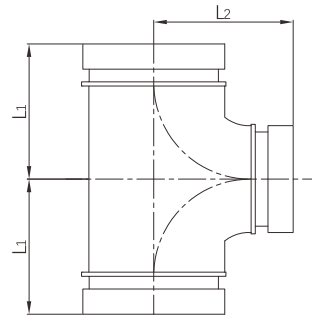


Grooved reducing tee



- Certificate: UL Listed / FM Approved
- Standard: ANSI / UL 213C
- Material: Ductile iron ASTM A536, 65-45-12
- Type: Short / Standard
- Rated pressure: 300 ~ 500 psi
- Surface: Red painting / hot dip galvanized



Available size

Size			Center to end (mm), Short		Center to end (mm), Standard		Ref. No.
Inch	DN	mm	L1	L2	L1	L2	
2" x 1"	50 x 25	60.3 x 33.7	70	70	83	83	G1601 (UL/FM)
2" x 1-1/4"	50 x 32	60.3 x 42.4	70	70	/	/	G1602 (UL/FM)
2" x 1-1/2"	50 x 40	60.3 x 48.3	70	70	83	83	G1603 (UL/FM)
2-1/2" x 1"	65 x 25	73.0 x 33.7	76	76	95	95	G1604 (UL/FM)
2-1/2" x 1-1/4"	65 x 32	73.0 x 42.4	76	76	95	95	G1605 (UL/FM)
2-1/2" x 1-1/2"	65 x 40	73.0 x 48.3	76	76	95	95	G1606 (UL/FM)
2-1/2" x 2"	65 x 50	73.0 x 60.3	76	76	95	95	G1607 (UL/FM)
2-1/2" x 1"	65 x 25	76.1 x 33.7	76	76	/	/	G1608 (UL/FM)
2-1/2" x 1-1/4"	65 x 32	76.1 x 42.4	76	76	/	/	G1609 (UL/FM)
2-1/2" x 1-1/2"	65 x 40	76.1 x 48.3	76	76	/	/	G1610 (UL/FM)
2-1/2" x 2"	65 x 50	76.1 x 60.3	76	76	/	/	G1611 (UL/FM)
3" x 1"	80 x 25	88.9 x 33.7	86	86	108	108	G1612 (UL/FM)
3" x 1-1/4"	80 x 32	88.9 x 42.4	86	86	108	108	G1613 (UL/FM)
3" x 1-1/2"	80 x 40	88.9 x 48.3	86	86	108	108	G1614 (UL/FM)
3" x 2"	80 x 50	88.9 x 60.3	86	86	108	108	G1615 (UL/FM)

Grooved reducing tee

Available size

Size			Center to end (mm), Short		Center to end (mm), Standard		Ref. No.
Inch	DN	mm	L1	L2	L1	L2	
3" x 2-1/2"	80 x 65	88.9 x 73.0	86	86	108	108	G1616 (UL/FM)
3" x 2-1/2"	80 x 65	88.9 x 76.1	86	86	/	/	G1617 (UL/FM)
4" x 1"	100 x 25	114.3 x 33.7	101	101	127	127	G1618 (UL/FM)
4" x 1-1/2"	100 x 40	114.3 x 48.3	101	101	127	127	G1619 (UL/FM)
4" x 2"	100 x 50	114.3 x 60.3	101	101	127	127	G1620 (UL/FM)
4" x 2-1/2"	100 x 65	114.3 x 73.0	101	101	127	127	G1621 (UL/FM)
4" x 2-1/2"	100 x 65	114.3 x 76.1	101	101	/	/	G1622 (UL/FM)
4" x 3"	100 x 80	114.3 x 88.9	101	101	127	127	G1623 (UL/FM)
5" x 1-1/2"	125 x 40	139.7 x 48.3	124	124	/	/	G1624 (UL/FM)
5" x 2"	125 x 50	139.7 x 60.3	124	124	/	/	G1625 (UL/FM)
5" x 2-1/2"	125 x 65	139.7 x 76.1	124	124	/	/	G1626 (UL/FM)
5" x 3"	125 x 80	139.7 x 88.9	124	124	/	/	G1627 (UL/FM)
5" x 4"	125 x 100	139.7 x 114.3	124	124	/	/	G1628 (UL/FM)
5" x 2"	125 x 50	141.3 x 60.3	124	124	/	/	G1629 (UL/FM)
5" x 3"	125 x 80	141.3 x 88.9	124	124	140	140	G1630 (UL/FM)
5" x 4"	125 x 100	141.3 x 114.3	124	124	140	140	G1631 (UL/FM)
6" x 1-1/2"	150 x 40	165.1 x 48.3	140	140	/	/	G1632 (UL/FM)
6" x 2"	150 x 50	165.1 x 60.3	140	140	/	/	G1633 (UL/FM)
6" x 2-1/2"	150 x 65	165.1 x 76.1	140	140	/	/	G1634 (UL/FM)
6" x 3"	150 x 80	165.1 x 88.9	140	140	/	/	G1635 (UL/FM)
6" x 4"	150 x 100	165.1 x 114.3	140	140	/	/	G1636 (UL/FM)
6" x 5"	150 x 125	165.1 x 139.7	140	140	/	/	G1637 (UL/FM)
6" x 1-1/2"	150 x 40	168.3 x 48.3	140	140	/	/	G1638 (UL/FM)
6" x 2"	150 x 50	168.3 x 60.3	140	140	165	165	G1639 (UL/FM)
6" x 2-1/2"	150 x 65	168.3 x 73.0	140	140	165	165	G1640 (UL/FM)
6" x 2-1/2"	150 x 65	168.3 x 76.1	140	140	/	/	G1641 (UL/FM)
6" x 3"	150 x 80	168.3 x 88.9	140	140	165	165	G1642 (UL/FM)
6" x 4"	150 x 100	168.3 x 114.3	140	140	165	165	G1643 (UL/FM)
6" x 5"	150 x 125	168.3 x 139.7	140	140	/	/	G1644 (UL/FM)
6" x 5"	150 x 125	168.3 x 141.3	140	140	165	165	G1645 (UL/FM)
8" x 2"	200 x 50	219.1 x 60.3	175	175	/	/	G1646 (UL/FM)
8" x 2-1/2"	200 x 65	219.1 x 76.1	175	175	/	/	G1647 (UL/FM)
8" x 3"	200 x 80	219.1 x 88.9	175	175	/	/	G1648 (UL/FM)

Grooved reducing tee

Available size

Size			Center to end (mm), Short		Center to end (mm), Standard		Ref. No.
Inch	DN	mm	L1	L2	L1	L2	
8" x 4"	200 x 100	219.1 x 114.3	175	175	197	197	G1649 (UL/FM)
8" x 5"	200 x 125	219.1 x 139.7	175	175	/	/	G1650 (UL/FM)
8" x 6"	200 x 150	219.1 x 165.1	175	175	/	/	G1651 (UL/FM)
8" x 6"	200 x 150	219.1 x 168.3	175	175	197	197	G1652 (UL/FM)
10" x 4"	250 x 100	273.0 x 114.3	215	215	/	/	G1653 (UL)
10" x 4"	250 x 100	273.0 x 114.3	229	229	/	/	G1654 (FM)
10" x 6"	250 x 150	273.0 x 165.1	229	229	/	/	G1655 (UL/FM)
10" x 6"	250 x 150	273.0 x 168.3	229	229	/	/	G1656 (UL/FM)
10" x 8"	250 x 200	273.0 x 219.1	229	229	/	/	G1657 (UL/FM)
12" x 4"	300 x 100	323.9 x 114.3	254	254	/	/	G1658 (UL/FM)
12" x 6"	300 x 150	323.9 x 165.1	254	254	/	/	G1659 (UL/FM)
12" x 6"	300 x 150	323.9 x 168.3	254	254	/	/	G1660 (FM)
12" x 8"	300 x 200	323.9 x 219.1	254	254	/	/	G1661 (UL/FM)
12" x 10"	300 x 250	323.9 x 273.0	254	254	/	/	G1662 (UL/FM)
14" x 8"	350 x 200	355.6 x 219.1	280	280	279	279	G1663 (ISO)