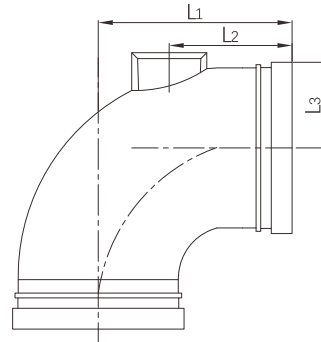


Grooved 90° drainage elbow



- Certificate: UL Listed / FM Approved
- Standard: ANSI / UL 213C
- Material: Ductile iron ASTM A536, 65-45-12
- Rated pressure: 300 ~ 500 psi
- Surface: Red painting / hot dip galvanized



Available size

| Size | | | Center to end, L (mm) | | | Ref. No. |
|--------|-----|-------|-----------------------|----|------|---------------|
| Inch | DN | mm | L1 | L2 | L3 | |
| 2" | 50 | 60.3 | 83 | 65 | 37.5 | G0204 (UL/FM) |
| 2-1/2" | 65 | 70.0 | 95 | 70 | 43.5 | G0205 (UL/FM) |
| 2-1/2" | 65 | 76.1 | 95 | 70 | 45 | G0206 (UL/FM) |
| 3" | 80 | 88.9 | 108 | 70 | 53 | G0207 (UL/FM) |
| 4" | 100 | 114.3 | 127 | 70 | 66 | G0208 (UL/FM) |
| 5" | 125 | 139.7 | 140 | 70 | 78.5 | G0209 (ISO) |
| 6" | 150 | 165.1 | 165 | 70 | 91 | G0211 (UL/FM) |
| 6" | 150 | 168.3 | 165 | 70 | 92.5 | G0212 (UL/FM) |
| 8" | 200 | 219.1 | 197 | 70 | 116 | G0213 (UL/FM) |