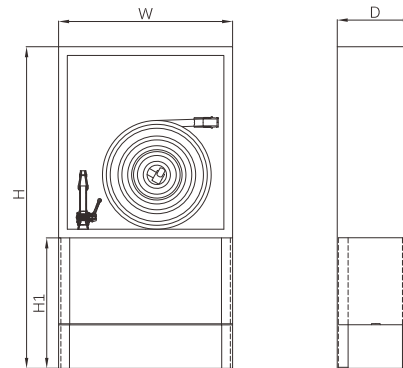


Outdoor self-stand fire cabinet

Outdoor self-stand fire cabinet is used where there is a nearby hydrant or other exterior water supply. The cabinet is large enough to store layflat delivery hose with branchpipe, fire axe, and other firefighting equipment.



- Certificate: ISO
- Standard: Refer to BS 5041
- Capacity: Layflat hose and others
- Mounting: Floor
- Surface: Red powder coating / bright SS



Main parts and material

Box / door / leg	Cold rolled steel or SS, 1.0 / 1.2 / 1.5 mm thickness	Door type	Single door or double doors, from left and right open 180°, bullet hinge or continuous piano hinge
Door glazing	Non (full solid), or acrylic viewing panel, slotted inside the door or embedded into the door with rubber raised edge	Lock	Rotary pull lock, keyed cylinder lock, or keyed lock with pull handle

Available size

Type	Content	Capacity	Mounting	Cabinet W x H x D (mm)	Leg H1 (mm)	Ref. No.
Single door	Layflat hose with branchpipe	2.5" x 30m, 1 set	Floor	560 x 1163 x 300	600	FE9801
Single door	Layflat hose with branchpipe	2.5" x 30m, 2 sets	Floor	560 x 1600 x 300	600	FE9802
Double doors	Layflat hose with branchpipe, fire axe, T-wrench	2.5" x 30m, 2 sets, with others	Floor	900 x 1420 x 250	310	FE9803
Double doors	Layflat hose with branchpipe	2.5" x 30m, 4 sets	Floor	1450 x 1010 x 375	450	FE9804