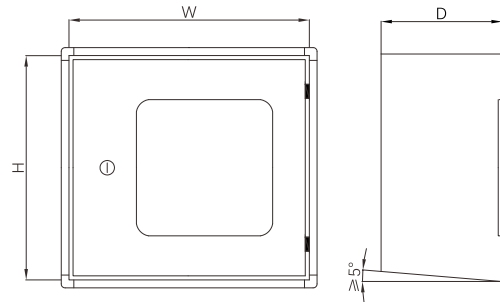


Breeching inlet cabinet

Breeching inlet cabinet (dry riser inlets box) protects breeching inlet from contamination & damage. The cabinet is preferably recessed in a wall with inlets normally at street level through which water can be pumped into.



- Certificate: ISO
- Standard: BS 5041-5
- Capacity: Breeching inlet
- Mounting: Wall surface / recessed
- Surface: Red powder coating / bright SS



Main parts and material

Box / door	Cold roll steel or SS, 1.5mm thick	Door type	Single door, from left to right open 180°, bullet hinge or continuous piano hinge
Door glazing	Wire glass 6mm thick, slotted inside the door or embedded into the door with rubber raised edge	Lock	Keyed cylinder lock, can be released from the inside without the key

Available size

Content	Capacity	Mounting	Dimension W x H x D (mm)	Ref. No.
2-way breeching inlet	DN 100	Surface / recessed	600 x 400 x 300	FE9001
4-way breeching inlet	DN 150	Surface / recessed	600 x 600 x 300	FE9002

Note:

1. For recessed type, it contains projection trim on the external face of cabinet with width 38mm.
2. The rear of the cabinet has pre-cut flange hole for easy connection to the pipeline.
3. The bottom of cabinet has a fall towards the front around 5°, with 2 holes of $\phi 10\text{mm}$ for drainage.