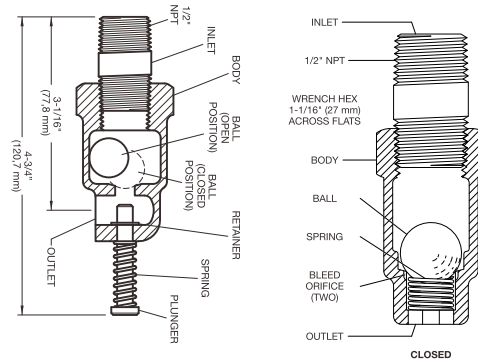


Automatic drain valve



- Certificate: UL Listed / FM Approved
- Standard: UL 1726, UL 260, UL 864
- Materials: Bronze body, brass or SS ball
- Feature: Normal open position, automatic close
- W. pressure: 250 / 175 psi
- Surface: Rough bronze



Available size

Size		Application	Auto to close position	Connection	Working pressure	Ref. No.
Inch	DN					
1/2"	15	Trim component of main valve	2-10 psi	NPT	250	VC3901 (UL)
1/2"	15	Between FDC and check	7 psi	NPT	175	VC3902 (UL/FM)

Note: For VC3901, it is a part of main valve such as dry pipe valve, deluge valve or preaction valve.