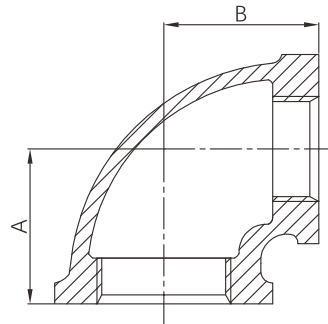


## Malleable iron 90° reducing elbow



- Certificate: UL Listed / FM Approved
- Standard: ASME B16.3
- Material: Malleable iron ASTM A197
- Thread: NPT
- W. pressure: Class 150, 300 psi (-29°C to 66°C)  
Class 300, 1000 / 1500 / 2000 psi (-29°C to 66°C)
- Surface: Black iron / hot dip galvanized



### Available size (Class 150)

Inch	Size		A mm	B mm	Ref. No.
	DN	mm			
1/2" x 3/8"	15 x 10	21.3 x 17.1	26.4	26.2	M5206 (UL/FM)
3/4" x 3/8"	20 x 10	26.7 x 17.1	28.5	28.7	M5209 (UL/FM)
3/4" x 1/2"	20 x 15	26.7 x 21.3	30.5	31.0	M5210 (UL/FM)
1" x 1/4"	25 x 8	33.4 x 13.7	27.0	31.0	M5211 (FM)
1" x 3/8"	25 x 10	33.4 x 17.1	30.0	32.3	M5212 (UL/FM)
1" x 1/2"	25 x 15	33.4 x 21.3	32.0	35.5	M5213 (UL/FM)
1" x 3/4"	25 x 20	33.4 x 26.7	34.8	36.8	M5214 (UL/FM)
1-1/4" x 3/8"	32 x 10	42.2 x 17.1	32.0	36.5	M5215 (FM)
1-1/4" x 1/2"	32 x 15	42.2 x 21.3	34.0	38.9	M5216 (UL/FM)
1-1/4" x 3/4"	32 x 20	42.2 x 26.7	36.8	41.2	M5217 (UL/FM)
1-1/4" x 1"	32 x 25	42.2 x 33.4	40.1	42.4	M5218 (UL/FM)
1-1/2" x 1/2"	40 x 15	48.3 x 21.3	35.0	41.5	M5221 (FM)
1-1/2" x 3/4"	40 x 20	48.3 x 26.7	38.6	44.5	M5222 (UL/FM)
1-1/2" x 1"	40 x 25	48.3 x 33.4	41.9	45.7	M5223 (UL/FM)
2" x 1/2"	50 x 15	60.3 x 21.3	37.5	47.5	M5225 (FM)

# Malleable iron 90° reducing elbow

## Available size (Class 150)

Size			A	B	Ref. No.
Inch	DN	mm	mm	mm	
2" x 3/4"	50 x 20	60.3 x 26.7	40.6	50.0	M5227 (UL/FM)
2" x 1"	50 x 25	60.3 x 33.4	43.9	51.3	M5229 (UL/FM)
2" x 1-1/4"	50 x 32	60.3 x 42.2	48.3	53.3	M5230 (UL/FM)
2" x 1-1/2"	50 x 40	60.3 x 48.3	51.3	54.9	M5231 (UL/FM)
2-1/2" x 3/4"	65 x 20	73.0 x 26.7	42.0	57.0	M5233 (FM)
2-1/2" x 1"	65 x 25	73.0 x 33.4	46.0	58.7	M5234 (FM)
2-1/2" x 1-1/4"	65 x 32	73.0 x 42.2	50.5	60.0	M5235 (FM)
2-1/2" x 1-1/2"	65 x 40	73.0 x 48.3	54.9	63.8	M5236 (UL/FM)
2-1/2" x 2"	65 x 50	73.0 x 60.3	60.7	66.0	M5237 (UL/FM)
3" x 3/4"	80 x 20	88.9 x 26.7	45.0	65.0	M5239 (FM)
3" x 1"	80 x 25	88.9 x 33.4	50.0	67.5	M5241 (FM)
3" x 1-1/4"	80 x 32	88.9 x 42.2	55.0	70.0	M5242 (FM)
3" x 1-1/2"	80 x 40	88.9 x 48.3	58.0	72.0	M5243 (FM)
3" x 2"	80 x 50	88.9 x 60.3	64.0	73.4	M5244 (UL/FM)
3" x 2-1/2"	80 x 65	88.9 x 73.0	71.9	75.9	M5245 (UL/FM)
4" x 1-1/4"	100 x 32	114.3 x 42.2	60.0	85.0	M5249 (FM)
4" x 1-1/2"	100 x 40	114.3 x 48.3	62.0	85.0	M5250 (FM)
4" x 2"	100 x 50	114.3 x 60.3	69.0	87.0	M5251 (FM)
4" x 2-1/2"	100 x 65	114.3 x 73.0	78.0	90.0	M5252 (FM)
4" x 3"	100 x 80	114.3 x 88.9	83.8	91.4	M5253 (UL/FM)

## Available size (Class 300)

Size			A	B	Ref. No.
Inch	DN	mm	mm	mm	
1/2" x 3/8"	15 x 10	21.3 x 17.1	30.2	30.2	M5206-300 (ISO)
1" x 3/4"	25 x 20	33.4 x 26.7	38.1	39.6	M5214-300 (ISO)
1-1/4" x 1/2"	32 x 15	42.2 x 21.3	36.5	42.0	M5216-300 (ISO)