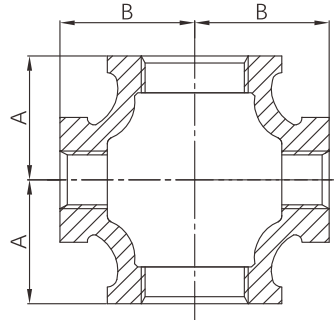


Malleable cast iron unequal cross (Reducing cross)



- Certificate: UL Listed / FM Approved / NSF 61
- Standard: ISO 49 / EN 10242, symbol C
- Material: BS EN 1562, EN-GJMB-350-10
- Thread: BSPT
- W. pressure: 20 ~ 25 bar, ≤ PN25
- Surface: Black iron / hot dip galvanized



Available size

Inch	Size		A mm	B mm	Ref. No.
	DN	mm			
3/4" x 1/2"	20 x 15	26.9 x 21.3	30	31	M2010 (UL/FM)
1" x 1/2"	25 x 15	33.7 x 21.3	32	34	M2013 (UL/FM)
1" x 3/4"	25 x 20	33.7 x 26.9	35	36	M2014 (UL/FM)
1-1/4" x 1/2"	32 x 15	42.4 x 21.3	34	38	M2016 (UL/FM)
1-1/4" x 3/4"	32 x 20	42.4 x 26.9	36	41	M2017 (UL/FM)
1-1/4" x 1"	32 x 25	42.4 x 33.7	40	42	M2018 (UL/FM)
1-1/2" x 1/2"	40 x 15	48.3 x 21.3	36	42	M2021 (UL/FM)
1-1/2" x 3/4"	40 x 20	48.3 x 26.9	38	44	M2022 (UL/FM)
1-1/2" x 1"	40 x 25	48.3 x 33.7	42	46	M2023 (UL/FM)
1-1/2" x 1-1/4"	40 x 32	48.3 x 42.4	46	48	M2024 (UL/FM)
2" x 3/4"	50 x 20	60.3 x 26.9	40	50	M2027 (UL/FM)
2" x 1"	50 x 25	60.3 x 33.7	44	52	M2029 (UL/FM)
2" x 1-1/4"	50 x 32	60.3 x 42.4	48	54	M2030 (UL/FM)
2" x 1-1/2"	50 x 40	60.3 x 48.3	52	55	M2031 (UL/FM)
2-1/2" x 3/4"	65 x 20	76.1 x 26.9	43	57	M2033 (FM)

Malleable cast iron unequal cross (Reducing cross)

Available size

Inch	Size		A	B	Ref. No.
	DN	mm	mm	mm	
2-1/2" x 1"	65 x 25	76.1 x 33.7	47	60	M2034 (UL/FM)
2-1/2" x 1-1/4"	65 x 32	76.1 x 42.4	52	62	M2035 (UL/FM)
2-1/2" x 1-1/2"	65 x 40	76.1 x 48.3	55	63	M2036 (UL/FM)
2-1/2" x 2"	65 x 50	76.1 x 60.3	61	66	M2037 (UL/FM)
3" x 3/4"	80 x 20	88.9 x 26.9	45	65	M2039 (UL/FM)
3" x 1"	80 x 25	88.9 x 33.7	51	67	M2041 (UL/FM)
3" x 1-1/4"	80 x 32	88.9 x 42.4	55	70	M2042 (UL/FM)
3" x 1-1/2"	80 x 40	88.9 x 48.3	58	71	M2043 (UL/FM)
3" x 2"	80 x 50	88.9 x 60.3	64	73	M2044 (UL/FM)
3" x 2-1/2"	80 x 65	88.9 x 76.1	72	76	M2045 (UL)
3" x 2-1/2"	80 x 65	88.9 x 76.1	72	76	M2045 (FM)
4" x 1"	100 x 25	114.3 x 33.7	56	81	M2048 (UL/FM)
4" x 1-1/4"	100 x 32	114.3 x 42.4	60	84	M2049 (UL/FM)
4" x 1-1/2"	100 x 40	114.3 x 48.3	61	84	M2050 (UL/FM)
4" x 2"	100 x 50	114.3 x 60.3	70	86	M2051 (UL/FM)
4" x 2-1/2"	100 x 65	114.3 x 76.1	84	92	M2052 (UL/FM)
4" x 3"	100 x 80	114.3 x 88.9	82	90	M2053 (UL/FM)

Note: NSF 61 certificate is available for M2010 ~ M2053.