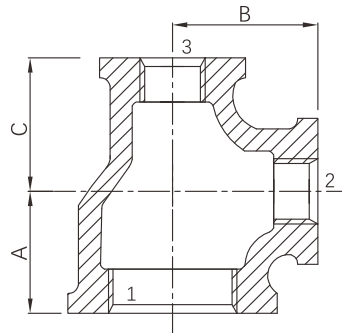


Malleable cast iron reducing tee (Unequal 3 ways)



- Certificate: UL Listed / FM Approved
- Standard: ISO 49 / EN 10242, symbol C
- Material: BS EN 1562, EN-GJMB-350-10
- Thread: BSPT
- W. pressure: 20 ~ 25 bar, ≤ PN25
- Surface: Black iron / hot dip galvanized



Available size

Size (1 x 3 x 2)			A	B	C	Ref. No.
Inch	DN	mm	mm	mm	mm	
1" x 1/2" x 3/4"	25 x 15 x 20	33.7 x 21.3 x 26.9	32	34	30	M1401 (UL/FM)
1" x 3/4" x 1/2"	25 x 20 x 15	33.7 x 26.9 x 21.3	35	36	31	M1402 (UL/FM)
1-1/4" x 1/2" x 3/4"	32 x 15 x 20	42.4 x 21.3 x 26.9	30	36	31	M1403 (UL/FM)
1-1/4" x 3/4" x 1/2"	32 x 20 x 15	42.4 x 26.9 x 21.3	35	38	29	M1404 (UL/FM)
1-1/4" x 1/2" x 1"	32 x 15 x 25	42.4 x 21.3 x 33.7	34	38	32	M1405 (UL/FM)
1-1/4" x 1" x 1/2"	32 x 25 x 15	42.4 x 33.7 x 21.3	39	42	34	M1406 (UL/FM)
1-1/4" x 3/4" x 1"	32 x 20 x 25	42.4 x 26.9 x 33.7	36	41	35	M1407 (UL/FM)
1-1/4" x 1" x 3/4"	32 x 25 x 20	42.4 x 33.7 x 26.9	40	42	36	M1408 (UL/FM)
1-1/2" x 1/2" x 1"	40 x 15 x 25	48.3 x 21.3 x 33.7	44	46	34	M1409 (FM)
1-1/2" x 1-1/4" x 3/4"	40 x 32 x 20	48.3 x 42.4 x 26.9	46	48	41	M1410 (UL/FM)
1-1/2" x 3/4" x 1-1/4"	40 x 20 x 32	48.3 x 36.9 x 42.4	38	44	36	M1411 (UL/FM)
1-1/2" x 1-1/4" x 1"	40 x 32 x 25	48.3 x 42.4 x 33.7	42	46	40	M1412 (UL/FM)
2" x 1-1/2" x 1"	50 x 40 x 25	60.3 x 48.3 x 33.7	51	55	46	M1413 (UL/FM)
2" x 1" x 1-1/2"	50 x 25 x 40	60.3 x 33.7 x 48.3	44	52	42	M1414 (UL/FM)
2" x 1-1/4" x 1-1/2"	50 x 32 x 40	60.3 x 42.4 x 48.3	48	54	46	M1415 (UL/FM)
2" x 1-1/2" x 1-1/4"	50 x 40 x 32	60.3 x 48.3 x 42.4	52	55	48	M1416 (UL/FM)