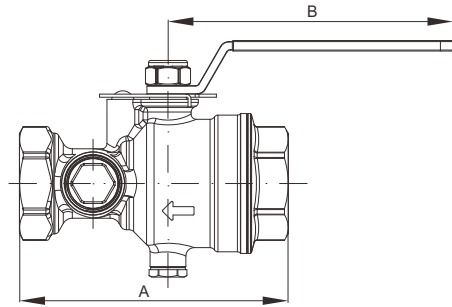


Test and drain valve (Straight type)

Test and drain valve provides both the test and the drain function for wet sprinkler systems. It contains a single handle ball valve with 3 working positions, also includes tamper resistant test orifice and sight glass.



- Certificate: UL Listed / FM Approved
- Standard: UL 258, comply with NFPA 13
- Connection: Female thread, or grooved
- K-factor: K5.6, K8.0, K11.2, etc.
- W. pressure: 300 / 175 psi
- Surface: Rough brass



Main parts and material

Body / stem	Cast or forged brass	Ball	Cast or forged brass, chrome plated
Sight glasses	Polycarbonate	Handle	Carbon steel

Available size (Source 1 with 300 psi)

Size		Dimension (mm)		Nominal K-Factor	Orifice	Connection	Working pressure (psi)	Ref. No.
NPS	DN	A	B					
1"	25	127	131	K5.6	1/2"	NPT / BSPT / GRV	300	VC0101 (UL/FM)
1-1/4"	32	127	131	K5.6	1/2"	NPT / BSPT / GRV	300	VC0102 (UL/FM) *
1-1/2"	40	167	161	K5.6	1/2"	NPT / BSPT / GRV	300	VC0103 (UL/FM) *
2"	50	167	161	K5.6	1/2"	NPT / BSPT / GRV	300	VC0104 (UL/FM)

Note: For size 1-1/4" and 1-1/2" of grooved connection, they are only UL listed, not FM approved.

Test and drain valve (Straight type)

Available size (Source 2 with 175 psi)

Size		Dimension (mm)		Nominal K-Factor	Orifice	Connection	Working pressure (psi)	Ref. No.
NPS	DN	A	B					
1"	25	115	148	K5.6	1/2"	NPT / BSPT	175	VC0111 (UL/FM)*
1-1/4"	32	123	161	K5.6	1/2"	NPT / BSPT	175	VC0112 (UL/FM)*
1-1/2"	40	136	173	K5.6	1/2"	NPT / BSPT / GRV	175	VC0113 (UL/FM)
2"	50	153	173	K5.6	1/2"	NPT / BSPT / GRV	175	VC0114 (UL/FM)

Note: For size 1" and 1-1/4", it is available with F x F and F x M threaded connection.

Available size (Source 3 with more orifices)

Size		Dimension (mm)		Nominal K-Factor	Orifice	Connection	Working pressure (psi)	Ref. No.
NPS	DN	A	B					
1"	25	128	136	K2.8	3/8"	NPT / BSPP	300	VC0121 (UL/FM)
1"	25	128	136	K4.2	7/16"	NPT / BSPP	300	VC0122 (UL/FM)
1"	25	128	136	K5.6	1/2"	NPT / BSPP	300	VC0123 (UL/FM)
1"	25	128	136	K8.0	17/32"	NPT / BSPP	300	VC0124 (UL/FM)
1-1/4"	32	128	136	K2.8	3/8"	NPT / BSPP / GRV	300	VC0125 (UL/FM)
1-1/4"	32	128	136	K4.2	7/16"	NPT / BSPP / GRV	300	VC0126 (UL/FM)
1-1/4"	32	128	136	K5.6	1/2"	NPT / BSPP / GRV	300	VC0127 (UL/FM)
1-1/4"	32	128	136	K8.0	17/32"	NPT / BSPP / GRV	300	VC0128 (UL/FM)
1-1/4"	32	128	136	K11.2	5/8"	NPT / BSPP / GRV	300	VC0129 (UL/FM)
1-1/4"	32	128	136	K14.0	3/4"	NPT / BSPP / GRV	300	VC0130 (UL/FM)
2"	50	157	173	K4.2	7/16"	NPT / BSPP / GRV	300	VC0131 (UL/FM)
2"	50	157	173	K5.6	1/2"	NPT / BSPP / GRV	300	VC0132 (UL/FM)
2"	50	157	173	K8.0	17/32"	NPT / BSPP / GRV	300	VC0133 (UL/FM)
2"	50	157	173	K11.2	5/8"	NPT / BSPP / GRV	300	VC0134 (UL/FM)
2"	50	157	173	K14.0	3/4"	NPT / BSPP / GRV	300	VC0135 (UL/FM)
2"	50	157	173	K16.8	15/16"	NPT / BSPP / GRV	300	VC0136 (UL/FM)
2"	50	157	173	K22.4	1-5/64"	NPT / BSPP / GRV	300	VC0137 (UL/FM)
2"	50	157	173	K25.2	1-9/64"	NPT / BSPP / GRV	300	VC0138 (UL/FM)

Available size (Source 4 with FM)

Size		Dimension (mm)		Nominal K-Factor	Orifice	Connection	Working pressure (psi)	Ref. No.
NPS	DN	A	B					
1"	25	135	130	K2.8	3/8"	NPT / BSPT	300	VC0141 (FM)
1"	25	135	130	K4.2	7/16"	NPT / BSPT	300	VC0142 (FM)
1"	25	135	130	K5.6	1/2"	NPT / BSPT	300	VC0143 (FM)
1-1/4"	32	135	133	K2.8	3/8"	NPT / BSPT	300	VC0144 (FM)
1-1/4"	32	135	133	K4.2	7/16"	NPT / BSPT	300	VC0145 (FM)
1-1/4"	32	135	133	K5.6	1/2"	NPT / BSPT	300	VC0146 (FM)

Test and drain valve (Straight type)

Available size (Source 4 with FM)

Size		Dimension (mm)		Nominal K-Factor	Orifice	Connection	Working pressure (psi)	Ref. No.
NPS	DN	A	B					
1-1/2"	40	164	152	K2.8	3/8"	NPT / BSPT	300	VC0147 (FM)
1-1/2"	40	164	152	K4.2	7/16"	NPT / BSPT	300	VC0148 (FM)
1-1/2"	40	164	152	K5.6	1/2"	NPT / BSPT	300	VC0149 (FM)
2"	50	181	152	K2.8	3/8"	NPT / BSPT	300	VC0150 (FM)
2"	50	181	152	K4.2	7/16"	NPT / BSPT	300	VC0151 (FM)
2"	50	181	152	K5.6	1/2"	NPT / BSPT	300	VC0152 (FM)
2"	50	181	152	K8.0	17/32"	NPT / BSPT	300	VC0153 (FM)
2"	50	181	152	K11.2	5/8"	NPT / BSPT	300	VC0154 (FM)