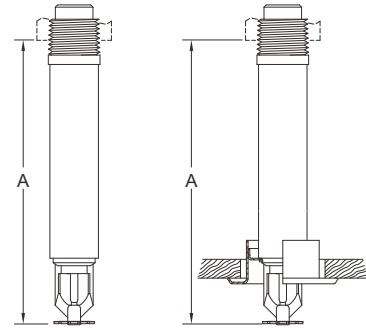


## K8.0 dry standard response pendent sprinkler

Dry sprinkler is mainly used to protect areas subject to freezing temperatures. The sprinkler is secured in an extension nipple that has a seal at the inlet end to prevent water from entering the nipple until the sprinkler operates.



- Certificate: UL Listed / FM Approved
- Standard: UL 199, NFPA 13
- Feature: K8.0 (K115), dry, pendent
- W. pressure: 175 psi
- T. pressure: 500 psi, factory hydrostatic test
- O. pressure: Min 7 psi
- Surface: Rough brass / chromed (Sprinkler)  
Signal white / chromed (Escutcheon)



### Main parts and material

<b>Deflector / frame</b>	Brass, SS or bronze	<b>Heat responsive element</b>	Glass bulb, 5 mm diameter
<b>Nipple (Tube)</b>	Galvanized steel pipe for outer tube, and SS for inner tube	<b>Escutcheon</b>	Carbon steel or SS

### Available size

Type	Nominal K-Factor	Response type	Temperature rating	Order length (A)	Connection	Working pressure (psi)	Ref. No.
Dry pendent	K8.0 (K115)	SR	135°F (57°C)	5-1/4" to 48"	1", NPT or BSPT	175	S5201 (UL/FM)
Dry pendent	K8.0 (K115)	SR	155°F (68°C)	5-1/4" to 48"	1", NPT or BSPT	175	S5202 (UL/FM)
Dry pendent	K8.0 (K115)	SR	175°F (79°C)	5-1/4" to 48"	1", NPT or BSPT	175	S5203 (UL)
Dry pendent	K8.0 (K115)	SR	200°F (93°C)	5-1/4" to 48"	1", NPT or BSPT	175	S5204 (UL/FM)
Dry pendent	K8.0 (K115)	SR	286°F (141°C)	5-1/4" to 48"	1", NPT or BSPT	175	S5205 (UL/FM)
Dry recessed pendent	K8.0 (K115)	SR	135°F (57°C)	3-3/4" to 48"	1", NPT or BSPT	175	S5206 (UL/FM)
Dry recessed pendent	K8.0 (K115)	SR	155°F (68°C)	3-3/4" to 48"	1", NPT or BSPT	175	S5207 (UL/FM)
Dry recessed pendent	K8.0 (K115)	SR	175°F (79°C)	3-3/4" to 48"	1", NPT or BSPT	175	S5208 (UL)
Dry recessed pendent	K8.0 (K115)	SR	200°F (93°C)	3-3/4" to 48"	1", NPT or BSPT	175	S5209 (UL/FM)
Dry recessed pendent	K8.0 (K115)	SR	286°F (141°C)	3-3/4" to 48"	1", NPT or BSPT	175	S5210 (UL)

- Note:**
1. Dry sprinklers are furnished based on Order length (A) as measured per drawing. After the measurement is taken, round it to the nearest 1/4" increment.
  2. It is available with other mounting type, such as flush, sleeve & skirt, extended sleeve & skirt (deep), etc.