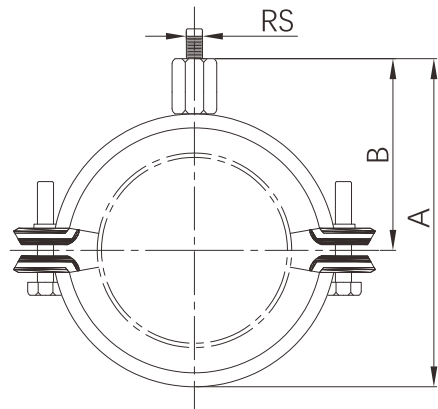


Rubber lined split clamp

Rubber lined split clamp is mainly used with light steel pipe or CPVC pipe, and it is lined by EPDM to reduce noise and vibration as DIN 4109/ISO 3822-1. Two set screws are equipped for quick installation.



- Certificate: UL Listed / FM Approved
- Standard: MSS SP-58/69 (Type-12)
- Type: Two set screws, M6
- Material: Carbon steel + EPDM lining
- Surface: Pre-galvanized / electro-galvanized
- Application: Non-insulated stationary pipeline



Available size (Source 1)

Pipe size		Hanger Rod Size (RS)		Dimension (mm)		Max recommend load (N)	Ref. No.
NPS	DN	UNC	Metric	A	B		
1/2"	15	3/8"	M10	51	34	1334	P4401 (UL)
3/4"	20	3/8"	M10	56	36	1334	P4402 (UL/FM)
1"	25	3/8"	M10	63	40	1334	P4403 (UL/FM)
1-1/4"	32	3/8"	M10	71	44	1334	P4404 (UL/FM)
1-1/2"	40	3/8"	M10	78	47	1334	P4405 (UL/FM)
2"	50	3/8"	M10	96	59	1334	P4406 (UL/FM)
2-1/2"	65	3/8"	M10	111	67	1512	P4407 (UL/FM)
3"	80	3/8"	M10	124	73	1868	P4408 (UL/FM)
4"	100	3/8"	M10	155	89	2668	P4409 (UL/FM)
5"	125	1/2"	M12	183	102	3558	P4410 (UL/FM)
6"	150	1/2"	M12	210	116	4714	P4411 (UL/FM)
8"	200	1/2"	M12	270	147	7205	P4412 (UL/FM)
10"	250	5/8"	M16	327	175	10408	P4413 (UL/FM)
12"	300	5/8"	M16	377	201	14055	P4414 (UL/FM)

Note: It is UL listed and FM approved with or without rubber lining.

Rubber lined split clamp

Available size (Source 2)

Pipe size		Hanger Rod Size (RS)		Dimension (mm)		Max recommend load (N)	Ref. No.
NPS	DN	UNC	Metric	A	B		
1/2"	15	3/8"	M10	51	34	1200	P4421 (ISO)
3/4"	20	3/8"	M10	55	36	1200	P4422 (ISO)
1"	25	3/8"	M10	63	40	1300	P4423 (ISO)
1-1/4"	32	3/8"	M10	71	44	1300	P4424 (ISO)
1-1/2"	40	3/8"	M10	79	48	1300	P4425 (ISO)
2"	50	3/8"	M10	89	53	1300	P4426 (ISO)
2-1/2"	65	3/8"	M10	103	60	1900	P4427 (ISO)
3"	80	3/8"	M10	118	68	1900	P4428 (ISO)
4"	100	3/8"	M10	141	79	2300	P4429 (ISO)
5"	125	1/2"	M12	175	96	2700	P4430 (ISO)
6"	150	1/2"	M12	202	110	2700	P4431 (ISO)
8"	200	1/2"	M12	248	133	2990	P4432 (ISO)
10"	250	9/16"	M14	288	155	2990	P4433 (ISO)
12"	300	9/16"	M14	320	180	2990	P4434 (ISO)