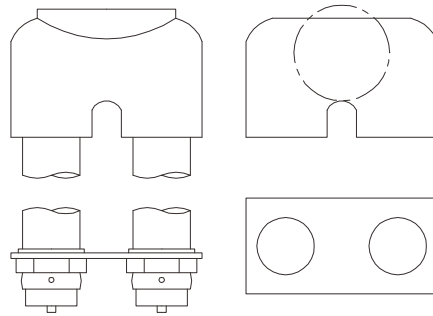


# Flush fire department outlet connection (FDC)

Fire department outlet connection (Wall hydrant) is used as an auxiliary connection to obtain water from its outlet. For flush FDC, the body is concealed behind the wall for aesthetic appearance and unobstructed passage.



- Certificate: ISO
- Standard: NFPA 14
- Feature: Flush type outlet
- W. pressure: 175 psi
- Surface: Polished / chrome plated



## Main parts and material

<b>Body</b>	Cast brass, pipe thread for snoots	<b>Snoot (Adapter)</b>	Cast brass, with NPT inlet x NH outlet
<b>Cap</b>	Brass, pin lug, with chain	<b>Wall plate</b>	Brass, special lettering for identification

## Available size

Size	Way of outlet	Body pattern	Inlet	Outlet	Working pressure (psi)	Ref. No.
4" x 2-1/2"	2-way	Straight	4" NPT, F	(2) 2-1/2" NH, M	175	F0801
4" x 2-1/2"	2-way	Angle	4" NPT, F	(2) 2-1/2" NH, M	175	F0802
6" x 2-1/2"	2-way	Straight	6" NPT, F	(2) 2-1/2" NH, M	175	F0803
6" x 2-1/2"	2-way	Angle	6" NPT, F	(2) 2-1/2" NH, M	175	F0804
6" x 2-1/2"	3-way	Straight	6" NPT, F	(3) 2-1/2" NH, M	175	F0805
6" x 2-1/2"	3-way	Angle	6" NPT, F	(3) 2-1/2" NH, M	175	F0806
6" x 2-1/2"	4-way	Straight	6" NPT, F	(4) 2-1/2" NH, M	175	F0807
6" x 2-1/2"	4-way	Angle	6" NPT, F	(4) 2-1/2" NH, M	175	F0808