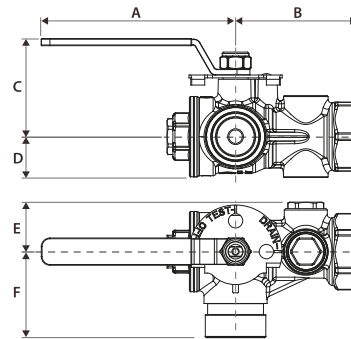


## Test and drain valve (Angle type)

Test and drain valve provides both the test and the drain function for wet sprinkler systems. It contains a single handle ball valve with 3 working positions, also includes tamper resistant test orifice and sight glass.



- Certificate: UL Listed / FM Approved
- Standard: UL 258, comply with NFPA 13
- Connection: Female thread, or grooved
- K-factor: K5.6, K8.0, K11.2, etc.
- W. pressure: 300 psi
- Surface: Rough brass



### Main parts and material

<b>Body / stem</b>	Cast or forged brass	<b>Ball</b>	Cast or forged brass, chrome plated
<b>Sight glasses</b>	Polycarbonate	<b>Handle</b>	Carbon steel

### Available size (Source 1 with 300 psi)

Size		Dimension (mm)		Nominal K-Factor	Orifice	Connection	Working pressure (psi)	Ref. No.
NPS	DN	A	F					
1"	25	121	55	K5.6	1/2"	NPT / BSPT / GRV	300	VC0201 (UL/FM)
1-1/4"	32	141	60	K5.6	1/2"	NPT / BSPT / GRV	300	VC0202 (UL/FM)*
1-1/2"	40	161	65	K5.6	1/2"	NPT / BSPT / GRV	300	VC0203 (UL/FM)*
2"	50	161	72	K5.6	1/2"	NPT / BSPT / GRV	300	VC0204 (UL/FM)

**Note:** For size 1-1/4" and 1-1/2" of grooved connection, they are only UL listed, not FM approved.

## Test and drain valve (Angle type)

### Available size (Source 3 with more orifices)

Size		Dimension (mm)		Nominal K-Factor	Orifice	Connection	Working pressure (psi)	Ref. No.
NPS	DN	A	C					
1-1/4"	32	133	50	K2.8	3/8"	NPT / GRV	300	VC0221 (UL)
1-1/4"	32	133	50	K4.2	7/16"	NPT / GRV	300	VC0222 (UL)
1-1/4"	32	133	50	K5.6	1/2"	NPT / GRV	300	VC0223 (UL)
1-1/4"	32	133	50	K8.0	17/32"	NPT / GRV	300	VC0224 (UL)
1-1/4"	32	133	50	K11.2	5/8"	NPT / GRV	300	VC0225 (UL)
1-1/4"	32	133	50	K14.0	3/4"	NPT / GRV	300	VC0226 (UL)
2"	50	173	27	K4.2	7/16"	NPT / GRV	300	VC0227 (UL)
2"	50	173	27	K5.6	1/2"	NPT / GRV	300	VC0228 (UL)
2"	50	173	27	K8.0	17/32"	NPT / GRV	300	VC0229 (UL)
2"	50	173	27	K11.2	5/8"	NPT / GRV	300	VC0230 (UL)
2"	50	173	27	K14.0	3/4"	NPT / GRV	300	VC0231 (UL)
2"	50	173	27	K16.8	15/16"	NPT / GRV	300	VC0232 (UL)
2"	50	173	27	K22.4	1-5/64"	NPT / GRV	300	VC0233 (UL)
2"	50	173	27	K25.2	1-9/64"	NPT / GRV	300	VC0234 (UL)

**Note:** For connection type, it is available with NPT x NPT, GRV x GRV, GRV x NPT.