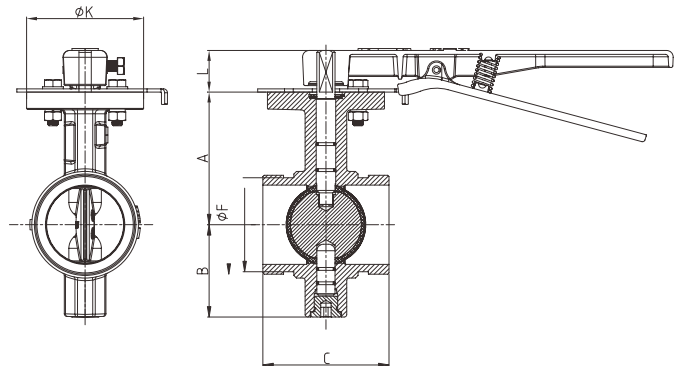


Grooved butterfly valve (Lockable lever)



CE

- Certificate: CE
- Standard: EN 593
- Connection: Grooved as ISO 6182
- Temperature: 0°C to 80°C
- W. pressure: PN 16
- Surface: FBE coating as AWWA C550



Main parts and material

Body	Ductile iron as EN 1563, EN-GJS-450-10	Disc	Ductile iron with EPDM
Lever	Ductile iron	Stem	SS420

Available size

Size			Dimension (mm)					Working pressure	Ref. No.
Inch	DN	mm	A	B	L	φk	C		
2"	50	60.3	89	65	32	90	81	PN 16	V2001
2-1/2"	65	76.1 / 73.0	102	71	32	90	97	PN 16	V2002
3"	80	88.9	109	81	32	90	97	PN 16	V2003
4"	100	114.3	128	95	32	90	116	PN 16	V2004
5"	125	139.7 / 141.3	141	111	32	90	148	PN 16	V2005
6"	150	165.1 / 168.3	153	133	32	90	148	PN 16	V2006
8"	200	219.1	184	164	45	125	153	PN 16	V2007
10"	250	273.0	216	196	45	125	159	PN 16	V2008
12"	300	323.9	254	226	45	125	165	PN 16	V2009