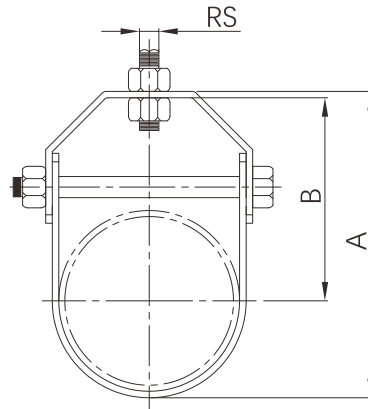


# Clevis hanger

Pipe hanger is a device or assembly used to support the gravity load of the system piping. Clevis hanger provides vertical adjustment, consisting of a clevis type top bolted to a formed steel bottom strap.



- Certificate: UL Listed / FM Approved
- Standard: UL 203, MSS SP-58/69 (Type-1)
- Material: Carbon steel
- Surface: Pre-galvanized / electro-galvanized
- Application: Non-insulated stationary pipeline



## Available size

Pipe size		Hanger Rod Size (RS)		Dimension (mm)		Max recommend load (N)	Ref. No.
NPS	DN	UNC	Metric	A	B		
1/2"	15	3/8"	M10	55	41	2710	P4201 (UL)
3/4"	20	3/8"	M10	60	44	2710	P4202 (UL/FM)
1"	25	3/8"	M10	70	50	3240	P4203 (UL/FM)
1-1/4"	32	3/8"	M10	85	61	3240	P4204 (UL/FM)
1-1/2"	40	3/8"	M10	100	73	3240	P4205 (UL/FM)
2"	50	3/8"	M10	115	82	3240	P4206 (UL/FM)
2-1/2"	65	1/2"	M12	135	95	6000	P4207 (UL/FM)
3"	80	1/2"	M12	155	105	6000	P4208 (UL/FM)
4"	100	5/8"	M16	200	140	6360	P4209 (UL/FM)
5"	125	5/8"	M16	250	175	6360	P4210 (UL/FM)
6"	150	3/4"	M20	280	190	8630	P4211 (UL/FM)
8"	200	3/4"	M20	330	215	8890	P4212 (UL/FM)
10"	250	3/4"	M20	400	255	16000	P4213 (UL/FM)
12"	300	3/4"	M20	470	300	16900	P4214 (UL/FM)