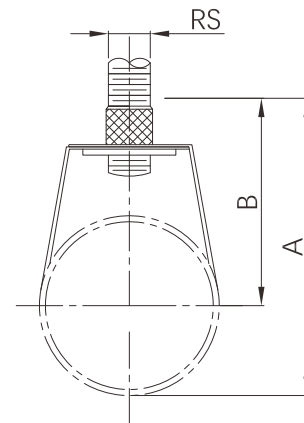


Swivel loop hanger (Band hanger)

Pipe hanger is a device or assembly used to support the gravity load of the system piping. Swivel loop hanger (Band hanger) provides vertical adjustment that utilizes a formed steel strap looped around the pipe.



- Certificate: UL Listed / FM Approved
- Standard: UL 203, MSS SP-58/69 (Type-10)
- Material: Carbon steel
- Surface: Pre-galvanized / electro-galvanized
- Application: Non-insulated stationary pipeline



Available size

Pipe size		Hanger Rod Size (RS)		Dimension (mm)		Max recommend load (N)	Ref. No.
NPS	DN	UNC	Metric	A	B		
1/2"	15	3/8"	M10	70	40	2220	P4101 (UL)
3/4"	20	3/8"	M10	78	45	2220	P4102 (UL/FM)
1"	25	3/8"	M10	84	48	2220	P4103 (UL/FM)
1-1/4"	32	3/8"	M10	90	50	2220	P4104 (UL/FM)
1-1/2"	40	3/8"	M10	98	55	2220	P4105 (UL/FM)
2"	50	3/8"	M10	109	60	2220	P4106 (UL/FM)
2-1/2"	65	3/8"	M10	132	78	4440	P4107 (UL/FM)
3"	80	3/8"	M10	145	82	4440	P4108 (UL/FM)
4"	100	3/8"	M10	175	100	4440	P4109 (UL/FM)
5"	125	1/2"	M12	210	116	8450	P4110 (UL/FM)
6"	150	1/2"	M12	245	135	8450	P4111 (UL/FM)
8"	200	1/2"	M12	315	183	8450	P4112 (UL/FM)