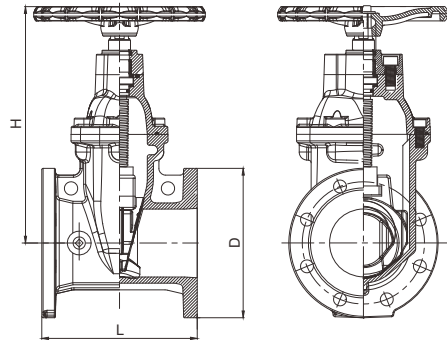


# Flanged NRS gate valve



- Certificate: UL Listed / FM Approved
- Standard: UL 262 / AWWA C515, C509
- Connection: Flanged as B16.1 Class 125, B16.5 Class 150, etc.
- Temperature: 0°C to 80°C
- W. pressure: 250 / 300 / 363 psi
- Surface: FBE coating as AWWA C550



## Main parts and material

<b>Body / bonnet / handwheel</b>	Ductile iron as ASTM A536, 65-45-12	<b>Resilient wedge disc</b>	Ductile iron with EPDM
<b>Stem</b>	AISI304 / AISI316	<b>Tapping plug</b>	Bronze as ASTM B584, 1/2" NPT for 2" ~ 5"; 3/4" NPT for 6" ~ 12"

## Available size

Size			Dimension (mm)		Working pressure (psi)	Ref. No.
Inch	DN	mm	L	H		
2"	50	60.3	178	254	300 / 363	V3401 (FM)
2-1/2"	65	73.0	190	275	300 / 363	V3402 (UL/FM)
3"	80	88.9	203	301	300 / 363	V3403 (UL/FM)
4"	100	114.3	229	355	300 / 363	V3404 (UL/FM)
5"	125	141.3	254	393	300 / 363	V3405 (UL/FM)*
6"	150	168.3	267	448	300 / 363	V3406 (UL/FM)
8"	200	219.1	292	548	300 / 363	V3407 (UL/FM)
10"	250	273.0	330	626	300 / 363	V3408 (UL/FM)
12"	300	323.8	356	722	300 / 363	V3409 (UL/FM)
14"	350	355.6	381	918	250	V3410 (UL/FM)
16"	400	406.4	406	918	250	V3411 (UL/FM)
18"	450	457	432	1108	250	V3412 (UL/FM)
20"	500	508	457	1130	250	V3413 (UL/FM)
24"	600	610	508	1321	250	V3414 (UL/FM)

### Note:

- \*For size 5" with working pressure 300 psi, it is only UL listed, not FM approved.
- For size 2" to 12" with working pressure 300 psi, it is also available with flanged connection as per EN 1092-2 PN 16.

**V34**