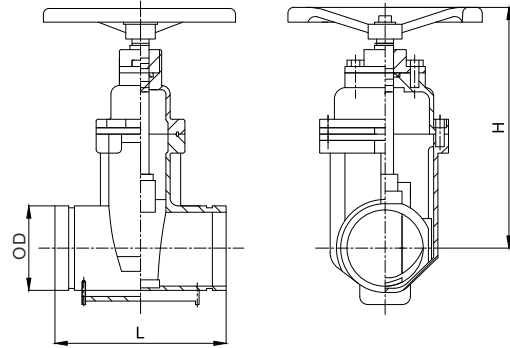


## Grooved NRS gate valve



- Certificate: UL Listed / FM Approved
- Standard: BS EN 1074-2
- Connection: Grooved as ISO 6182
- Temperature: 0°C to 80°C
- W. pressure: PN 16
- Surface: FBE coating as AWWA C550



### Main parts and material

<b>Body / bonnet / handwheel</b>	Ductile iron as EN 1563, EN-GJS-450-10	<b>Resilient wedge disc</b>	Ductile iron with EPDM
<b>Stem</b>	SS304 / SS316	<b>Thrust washer</b>	Brass as B124 C37000

### Available size

Inch	Size		Dimension (mm)		Working pressure	Ref. No.
	DN	mm	L	H		
2"	50	60.3	178	218	PN 16	V0501 (FM)
2-1/2"	65	76.1 / 73.0	190	230	PN 16	V0502 (UL/FM)
3"	80	88.9	203	281	PN 16	V0503 (UL/FM)
4"	100	114.3	229	316	PN 16	V0504 (UL/FM)
5"	125	139.7 / 141.3	254	393	PN 16	V0505 (UL/FM)
6"	150	165.1 / 168.3	267	420	PN 16	V0506 (UL/FM)
8"	200	219.1	292	490	PN 16	V0507 (UL/FM)
10"	250	273.0	330	626	PN 16	V0508 (UL/FM)
12"	300	323.9	356	722	PN 16	V0509 (UL/FM)