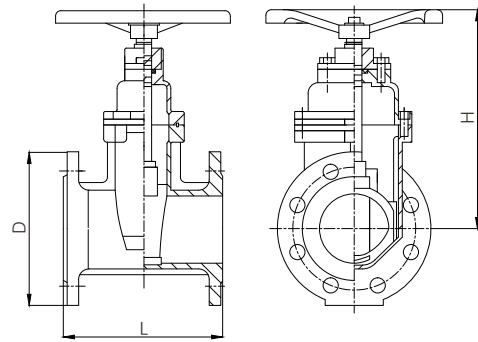


Flanged NRS gate valve



- Certificate: UL Listed / FM Approved
- Standard: BS EN 1074-2, BS 5163
- Connection: Flanged as EN 1092-2
- Temperature: 0°C to 80°C
- W. pressure: PN 16 / PN 25
- Surface: FBE coating as AWWA C550



Main parts and material

Body / bonnet / handwheel	Ductile iron as EN 1563, EN-GJS-450-10	Resilient wedge disc	Ductile iron with EPDM
Stem	SS304 / SS316	Thrust washer	Brass as B124 C37000

Available size (Without position indicator)

Size			Dimension (mm)		Working pressure	Ref. No.
Inch	DN	mm	L	H		
2"	50	60.3	178	241	PN 16	V0401 (FM)
2-1/2"	65	76.1	190	255	PN 16	V0402 (UL/FM)
3"	80	88.9	203	304	PN 16	V0403 (UL/FM)
4"	100	114.3	229	337	PN 16	V0404 (UL/FM)
5"	125	139.7	254	404	PN 16	V0405 (UL/FM)
6"	150	165.1	267	436	PN 16	V0406 (UL/FM)
8"	200	219.1	292	443	PN 16	V0407 (UL/FM)
10"	250	273.0	330	641	PN 16	V0408 (UL/FM)
12"	300	323.9	356	743	PN 16	V0409 (UL/FM)
14"	350	355.6	381	1364	PN 16	V0410 (UL/FM)
16"	400	406.4	406	1364	PN 16	V0411 (UL/FM)
18"	450	457	432	1364	PN 16	V0412 (UL/FM)
20"	500	508	457	1364	PN 16	V0413 (UL/FM)
24"	600	610	508	1364	PN 16	V0414 (UL/FM)

V04 /

Flanged NRS gate valve

Available size (With position indicator)

Size			Dimension (mm)		Working pressure	Ref. No.
Inch	DN	mm	L	H		
2"	50	60.3	178	282	PN 16 / PN 25	V0421 (FM)
2-1/2"	65	76.1	190	290	PN 16 / PN 25	V0422 (UL/FM)
3"	80	88.9	203	331	PN 16 / PN 25	V0423 (UL/FM)
4"	100	114.3	229	366	PN 16 / PN 25	V0424 (UL/FM)
5"	125	139.7	254	443	PN 16 / PN 25	V0425 (UL/FM)*
6"	150	165.1	267	490	PN 16 / PN 25	V0426 (UL/FM)
8"	200	219.1	292	560	PN 16 / PN 25	V0427 (UL/FM)
10"	250	273.0	330	691	PN 16	V0428 (UL/FM)
12"	300	323.9	356	803	PN 16	V0429 (UL/FM)

Note: * For size 5" with working pressure PN 16, it is only UL listed, not FM approved.

Available size (With electrical position indicator)

Size			Dimension (mm)		Working pressure	Ref. No.
Inch	DN	mm	L	H		
2"	50	60.3	178	265	PN 16	V0441(ISO)
2-1/2"	65	76.1	190	280	PN 16	V0442(ISO)
3"	80	88.9	203	329	PN 16	V0443(ISO)
4"	100	114.3	229	344	PN 16	V0444(ISO)
5"	125	139.7	254	362	PN 16	V0445(ISO)
6"	150	165.1	267	461	PN 16	V0446(ISO)
8"	200	219.1	292	531	PN 16	V0447(ISO)
10"	250	273.0	330	669	PN 16	V0448(ISO)
12"	300	323.9	356	764	PN 16	V0449(ISO)