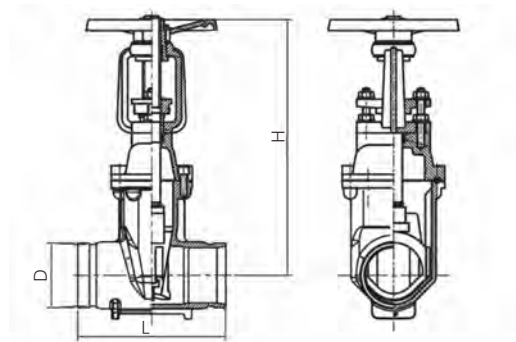


Grooved OS&Y gate valve



- Certificate: UL Listed / FM Approved
- Standard: BS EN 1074-2
- Connection: Grooved as ISO 6182
- Temperature: 0°C to 80°C
- W. pressure: PN 16
- Surface: FBE coating as AWWA C550



Main parts and material

Body / bonnet / yoke / handwheel	Ductile iron as EN 1563, EN-GJS-450-10	Resilient wedge disc	Ductile iron with EPDM
Stem	SS304 / SS316	Locknut	Carbon steel, zinc plated

Available size

Size			Dimension (mm)			Working pressure	Ref. No.
Inch	DN	mm	L	H min	H max		
2"	50	60.3	178	323	373	PN 16	V0201
2-1/2"	65	76.1 / 73.0	190	343	408	PN 16	V0202
3"	80	88.9	203	370	450	PN 16	V0203
4"	100	114.3	229	442	542	PN 16	V0204
5"	125	139.7 / 141.3	254	541	665	PN 16	V0205
6"	150	165.1 / 168.3	267	608	758	PN 16	V0206
8"	200	219.1	292	720	920	PN 16	V0207
10"	250	273.0	330	939	1193	PN 16	V0208
12"	300	323.9	356	1065	1370	PN 16	V0209