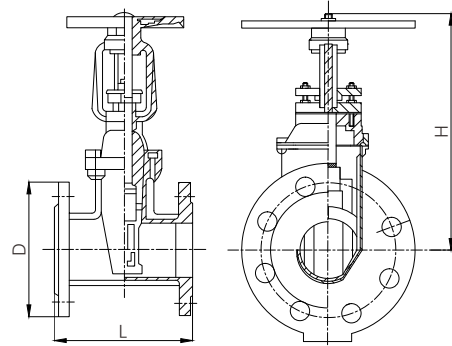


## Flanged OS&Y gate valve



- Certificate: UL Listed / FM Approved
- Standard: BS EN 1074-2
- Connection: Flanged as EN 1092-2
- Indicator: Non / with supervisory switch
- Temperature: 0°C to 80°C
- W. pressure: PN 16
- Surface: FBE coating as AWWA C550



### Main parts and material

<b>Body / bonnet / yoke / handwheel</b>	Ductile iron as EN 1563, EN-GJS-450-10	<b>Resilient wedge disc</b>	Ductile iron with EPDM
<b>Stem</b>	SS304 / SS316	<b>Locknut</b>	Carbon steel, zinc plated

### Available size (Without supervisory switch)

Size			Dimension (mm)			Working pressure	Ref. No.
Inch	DN	mm	L	H min	H max		
2"	50	60.3	178	323	373	PN 16	V0101
2-1/2"	65	76.1	190	343	408	PN 16	V0102
3"	80	88.9	203	370	450	PN 16	V0103
4"	100	114.3	229	442	542	PN 16	V0104
5"	125	139.7	254	541	665	PN 16	V0105
6"	150	165.1	267	608	758	PN 16	V0106
8"	200	219.1	292	720	920	PN 16	V0107
10"	250	273.0	330	940	1190	PN 16	V0108
12"	300	323.9	356	1065	1370	PN 16	V0109
14"	350	355.6	381	1415	1780	PN 16	V0110
16"	400	406.4	406	1385	1790	PN 16	V0111
18"	450	457	432	1835	2290	PN 16	V0112
20"	500	508	457	1830	2380	PN 16	V0113
24"	600	610	508	2030	2830	PN 16	V0114

# Flanged OS&Y gate valve

## Available size (With supervisory switch)

Size			Dimension (mm)			Working pressure	Ref. No.
Inch	DN	mm	L	H min	H max		
2"	50	60.3	178	323	373	PN 16	V0121
2-1/2"	65	76.1	190	343	408	PN 16	V0122
3"	80	88.9	203	370	450	PN 16	V0123
4"	100	114.3	229	442	542	PN 16	V0124
5"	125	139.7	254	541	665	PN 16	V0125
6"	150	165.1	267	608	758	PN 16	V0126
8"	200	219.1	292	720	920	PN 16	V0127
10"	250	273.0	330	940	1190	PN 16	V0128
12"	300	323.9	356	1065	1370	PN 16	V0129
14"	350	355.6	381	1415	1780	PN 16	V0130
16"	400	406.4	406	1385	1790	PN 16	V0131
18"	450	457	432	1835	2290	PN 16	V0132
20"	500	508	457	1830	2380	PN 16	V0133
24"	600	610	508	2030	2830	PN 16	V0134